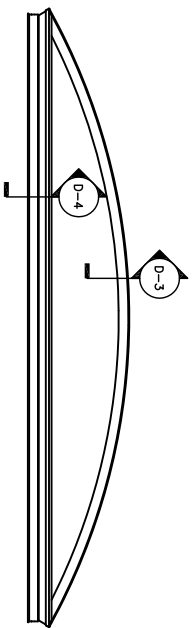


SKYLIGHT PLAN

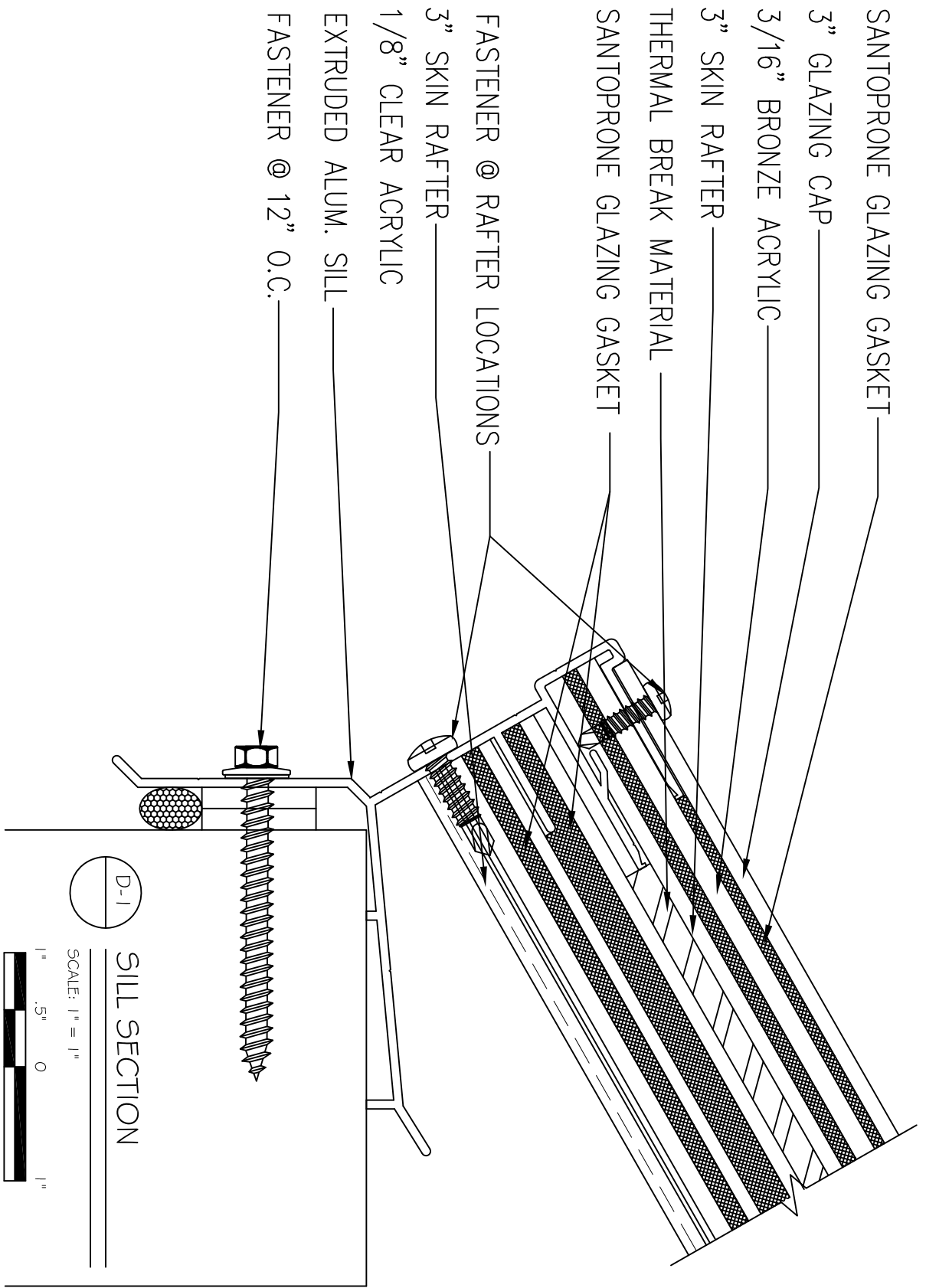


SKYLIGHT SECTION A-A

SINGLE GLAZED ARCH-VAULT

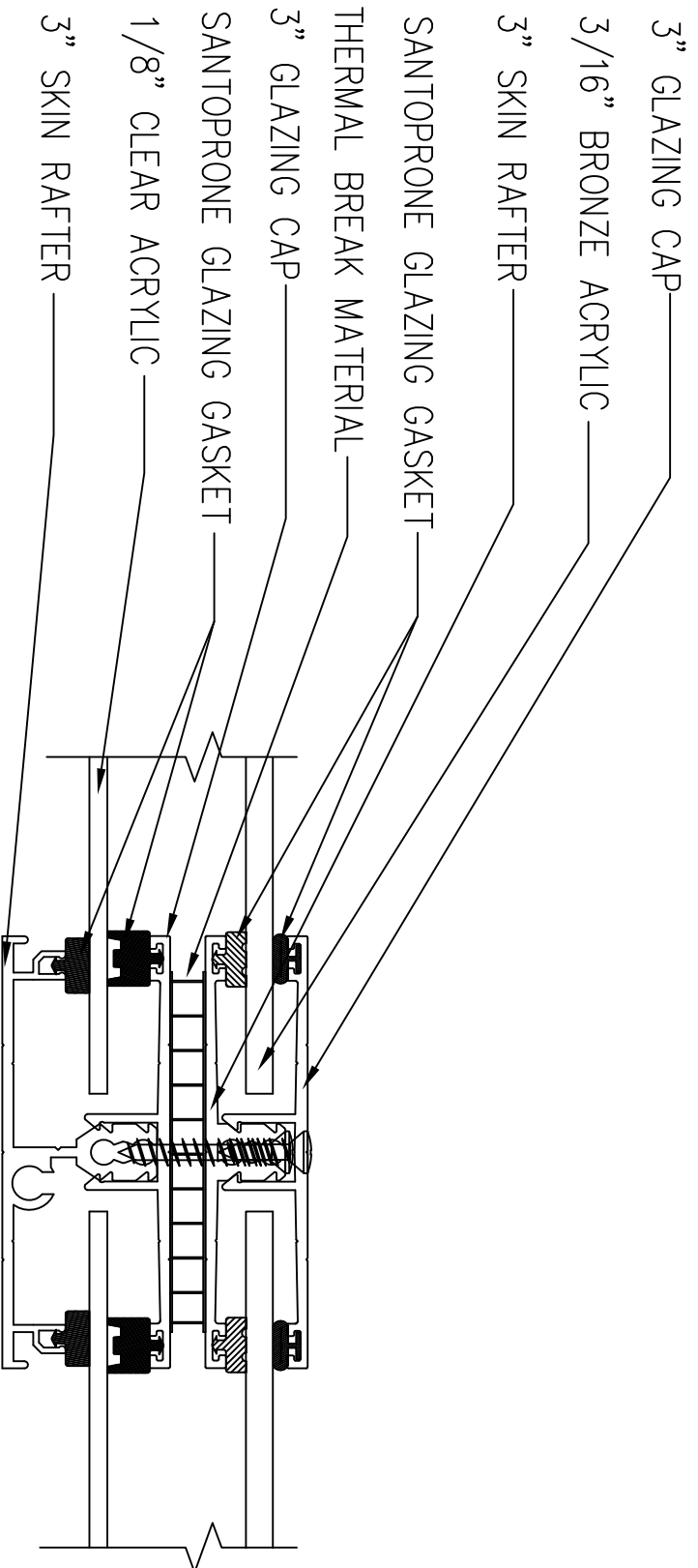


Energy-Glazed Systems, Inc.
 350 Center St. Grayshike, IL 60030(EP) 847.223.4500 (F)847.223.6444



Energy-Glazed Systems, Inc.
 350 Center St. Grayville, IL 60030(P) 847-223-4500 (F)847-223-6444

SINGLE GLAZED ARCH-VAULT



D-2

RAFTER SECTION

SCALE: 1" = 1"



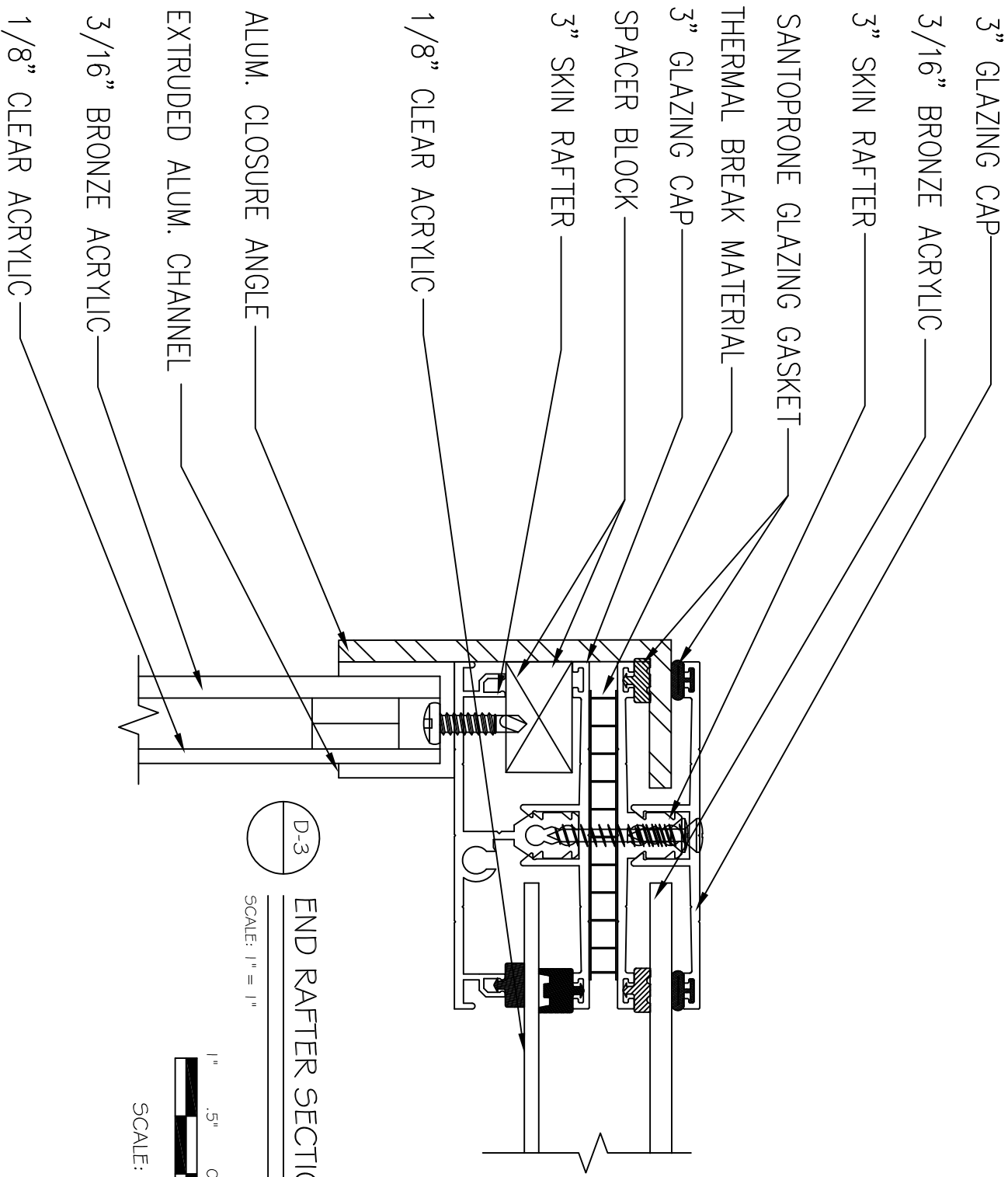
SCALE: 1" = 1"



Energy-Glazed Systems, Inc.

350 Center St. Grayville, IL 60030(P) 847-233-4500 (F)847-233-6444

SINGLE GLAZED ARCH-VAULT



D-3

END RAFTER SECTION

SCALE: 1" = 1"



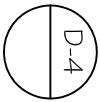
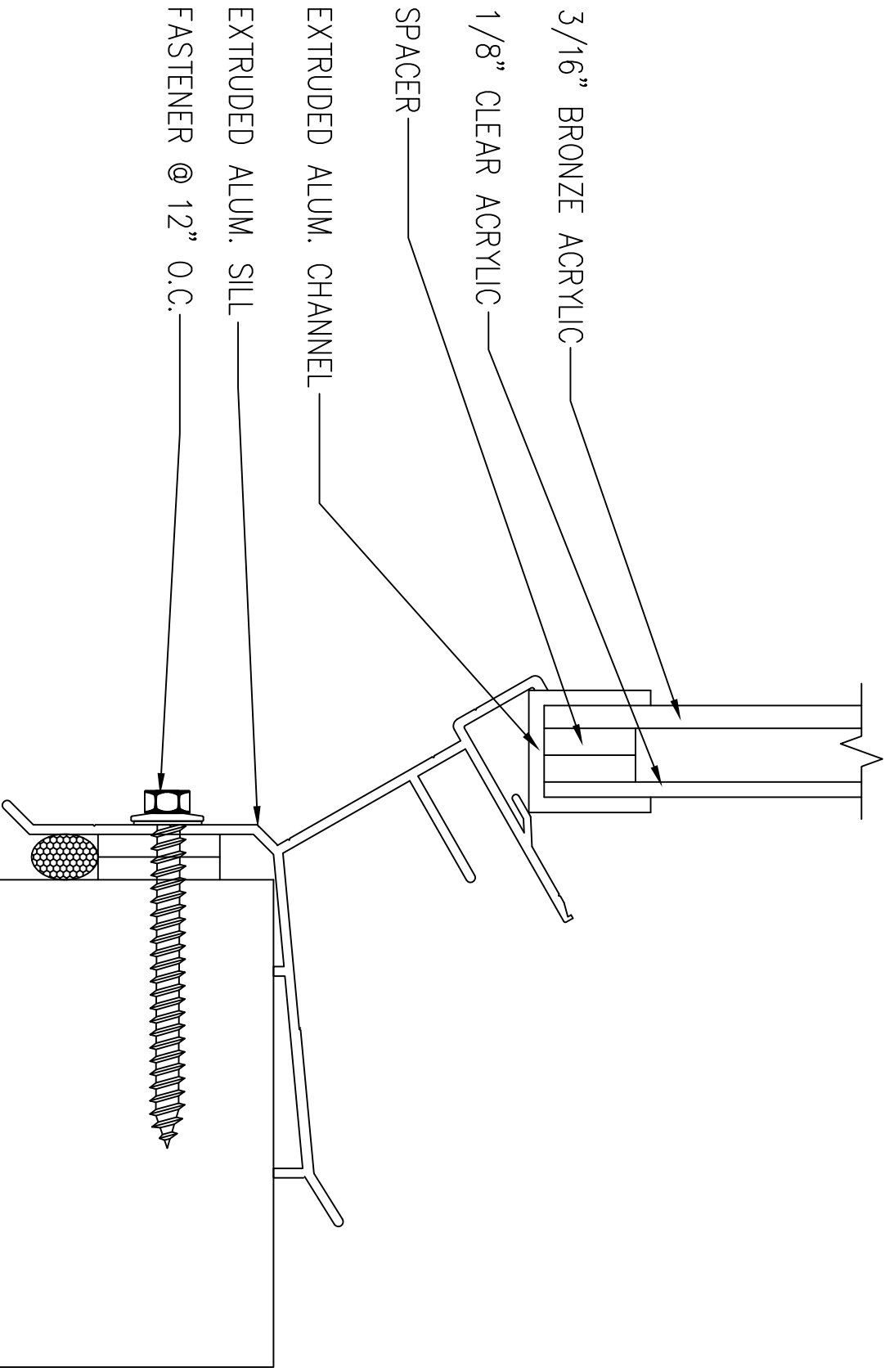
SCALE: 1" = 1"

SINGLE GLAZED ARCH-VAULT



Energy-Glazed Systems, Inc.

350 Center St. Grayville, IL 60030(P) 847-233-4500 (F)847-233-6444



GABLE SILL SECTION

SCALE: 1" = 1"



SCALE: 1" = 1"



Energy-Glazed Systems, Inc.

350 Center St. Grayville, IL 60030(P) 847-223-4500 (F)847-223-6444

SINGLE GLAZED ARCH-VAULT