

PLAN VIEW

GREENHOUSE DETAILS

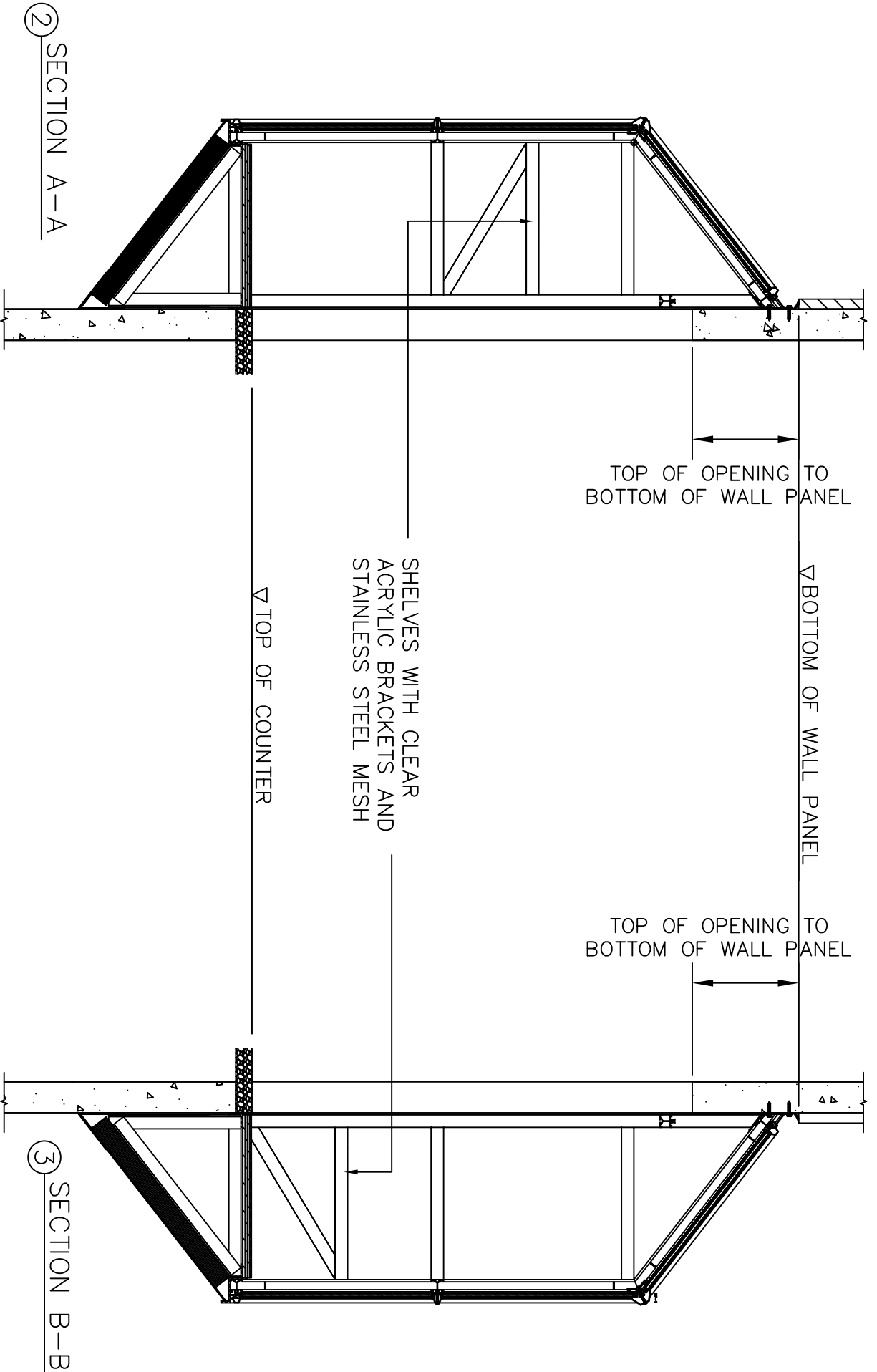


Energy-Glazed Systems, Inc.
 350 Center St., Grayslake, IL 60030/PH 847-223-4500 (F)847-223-4444



Energy-Glazed Systems, Inc.
350 Center St. Grayslake, IL 60030 (P) 847-223-4500 (F) 847-223-6444

GREENHOUSE DETAILS



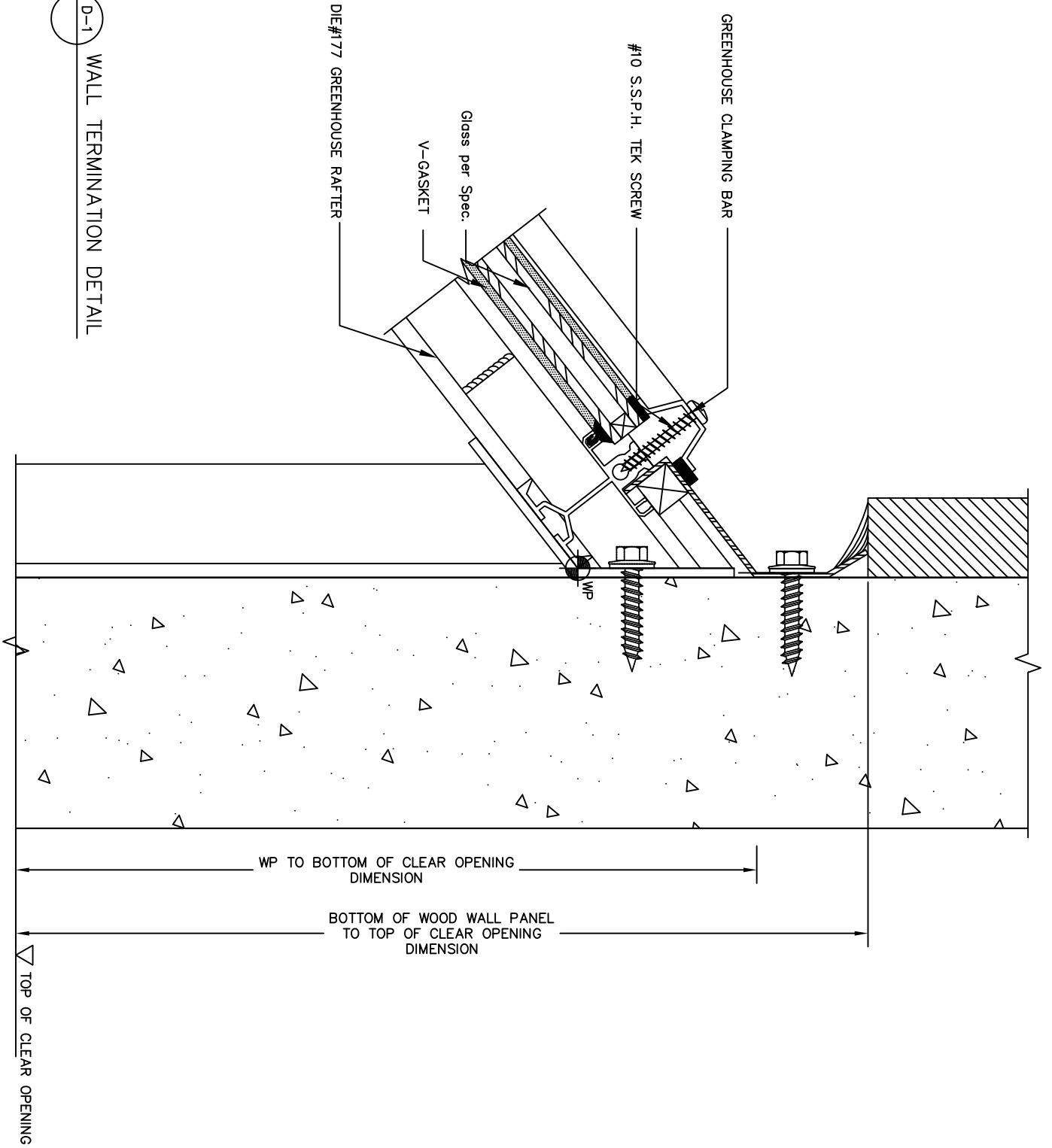


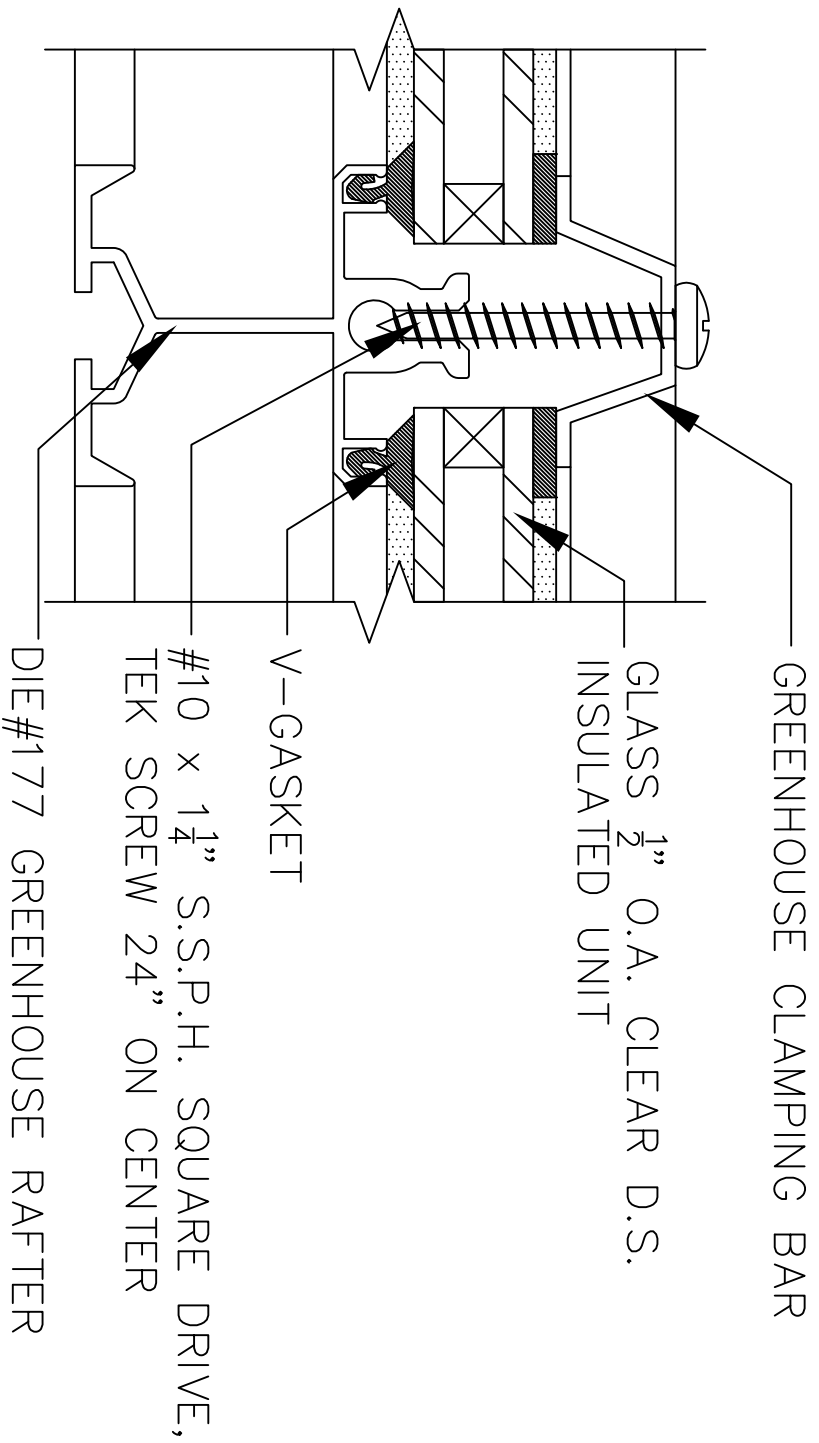
Energy-Glazed Systems, Inc.
359 Carter St., Grayville, IL 62030
(618) 472-2233 ext. 4444

GREENHOUSE DETAILS

D-1

WALL TERMINATION DETAIL





D-2

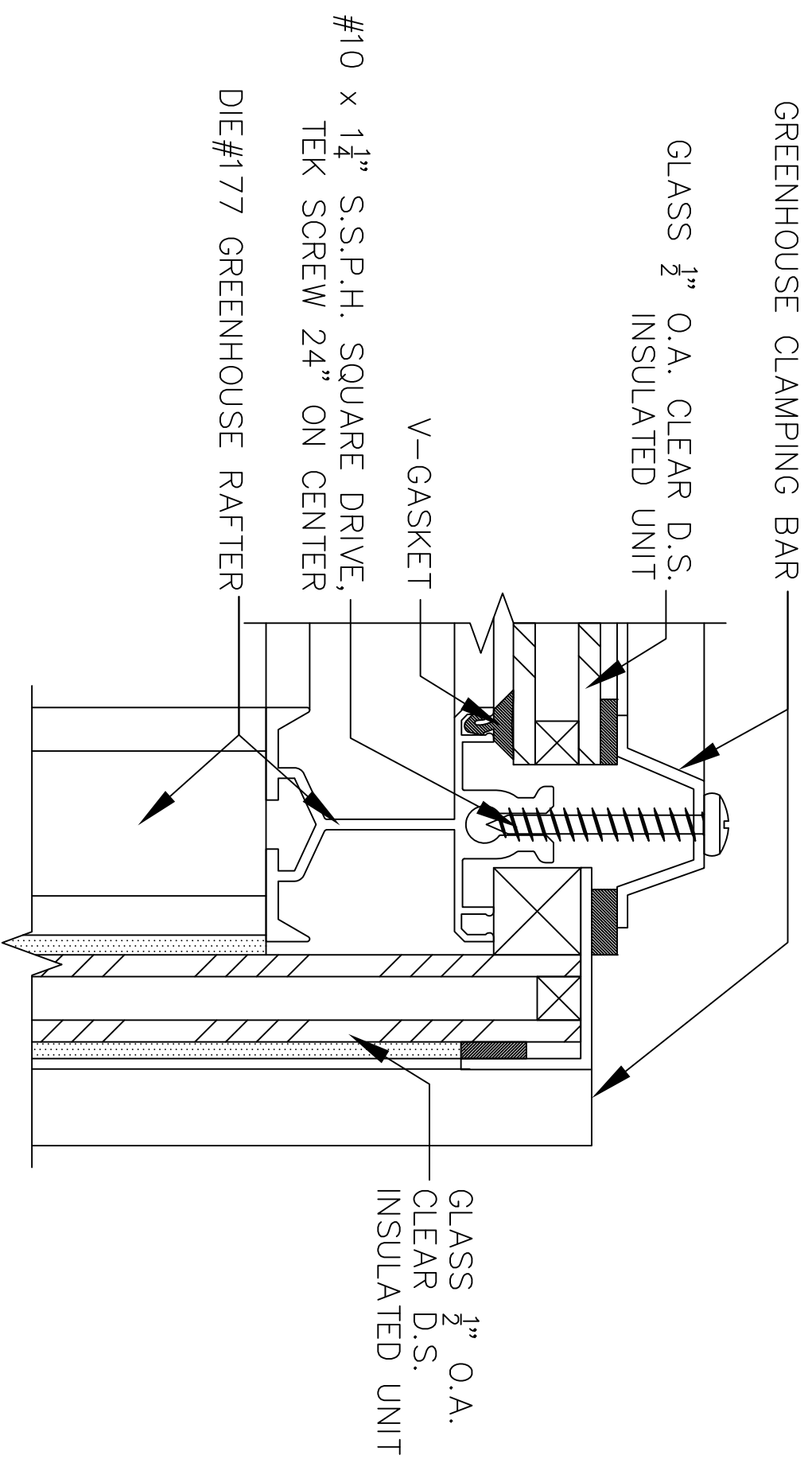
RAFTER DETAIL

SCALE: NTS



Energy-Glazed Systems, Inc.
350 Center St. Grayshaker, IL 60030(P) 847-223-4500 (F)847-223-6444

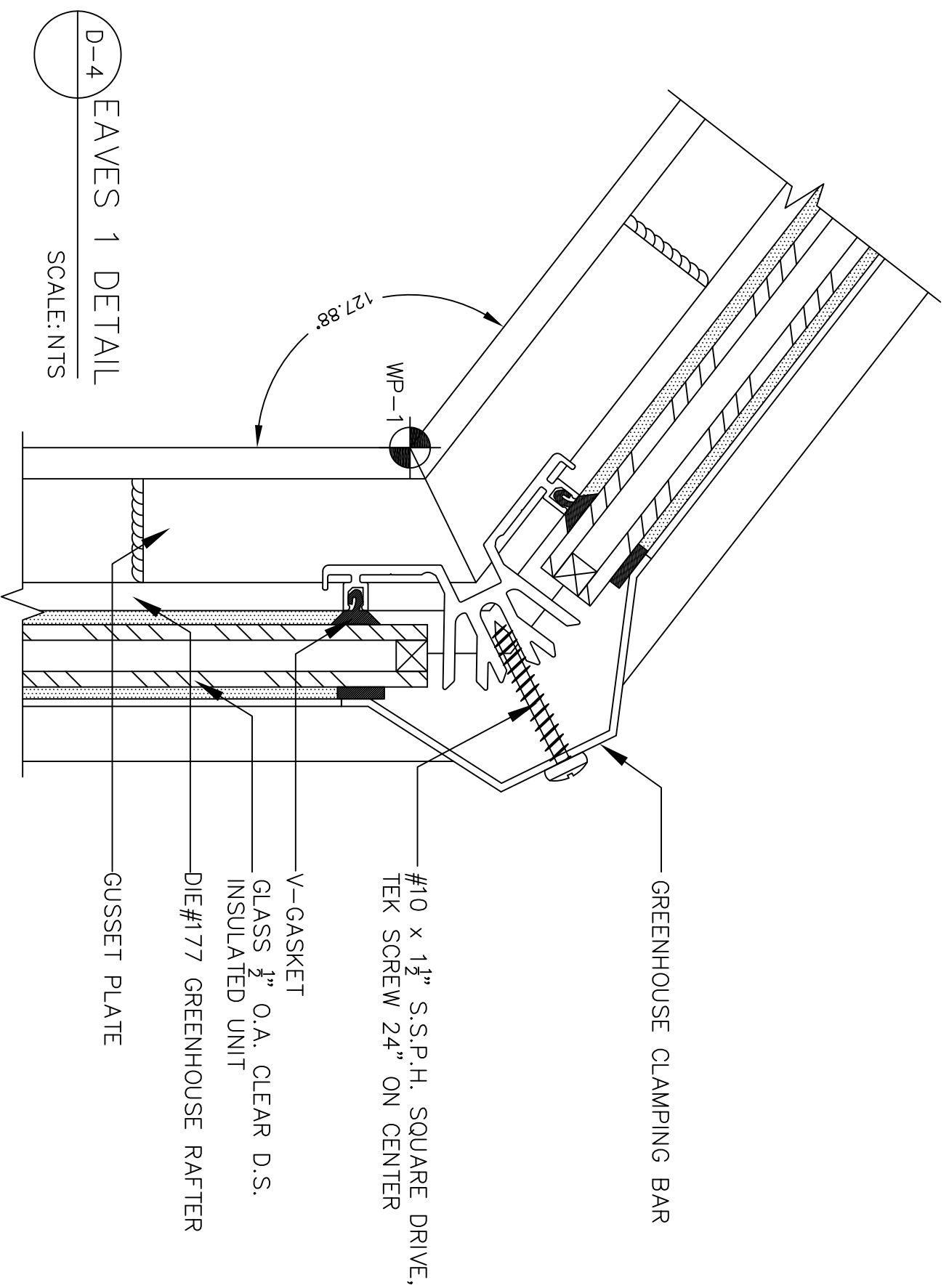
GREENHOUSE DETAILS



D-3

GABLE CONNECTION DETAIL

SCALE: NTS

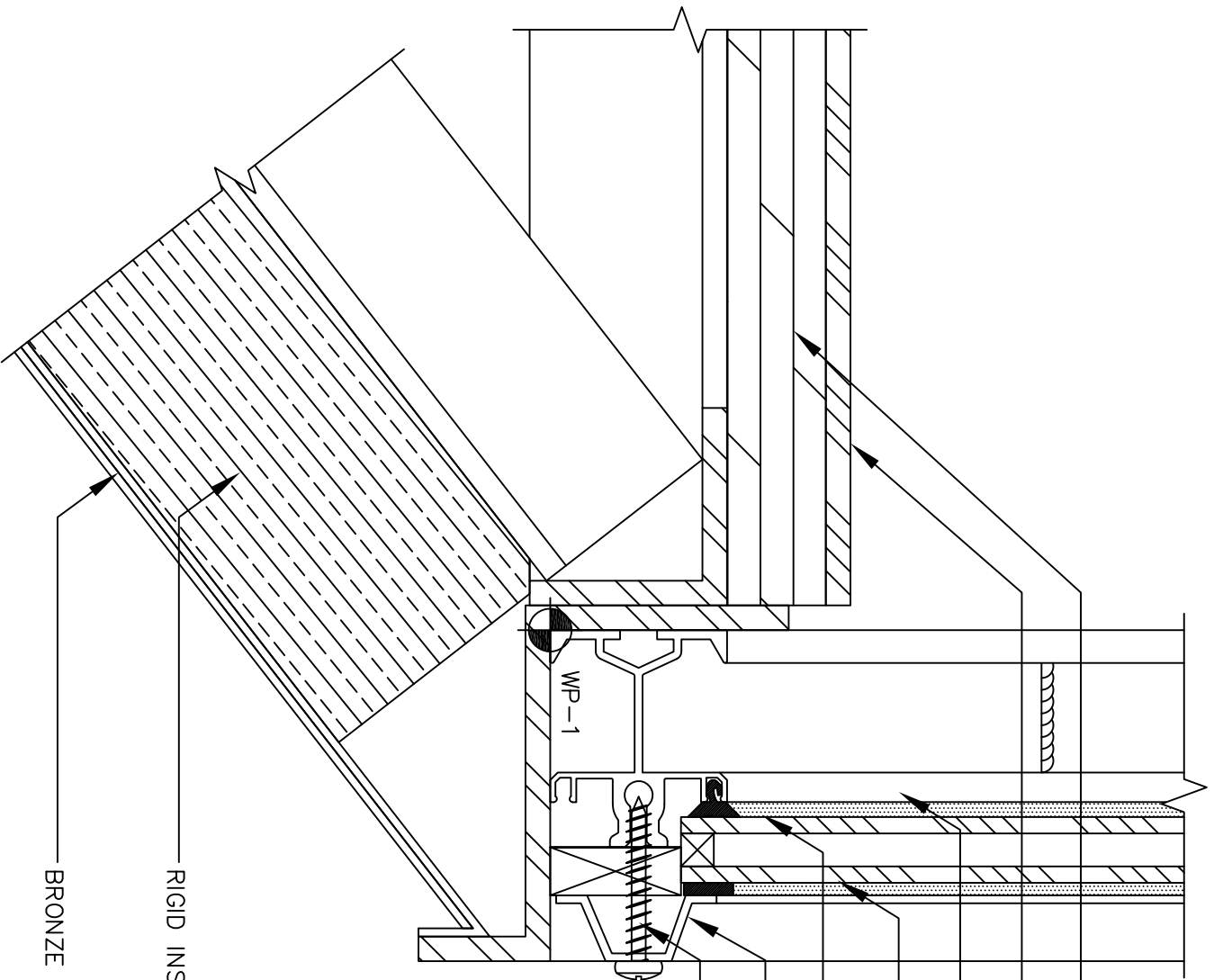


Energy-Glazed Systems, Inc.
350 Center St., Graysham, IL 60830 (P) 947-223-4500 (F) 947-223-6444

GREENHOUSE DETAILS



Energy-Glazed Systems, Inc.
 380 Center St. Caryville, IL 60030(P) 847-233-4500 (F)847-233-4444



WOOD
 BRONZE GLASS TOP
 DIE#177 GREENHOUSE RAFTER
 GLASS 1/2" O.A. CLEAR D.S. INSULATED UNIT
 V-GASKET
 GREENHOUSE CLAMPING BAR
 #10 x 1 1/4" S.S.P.H. SQUARE DRIVE, TEK SCREW 24" ON CENTER

D-5

EAVES 2 DETAIL

SCALE: NTS

RIGID INSULATION
 BRONZE METAL FLASHING

GREENHOUSE DETAILS