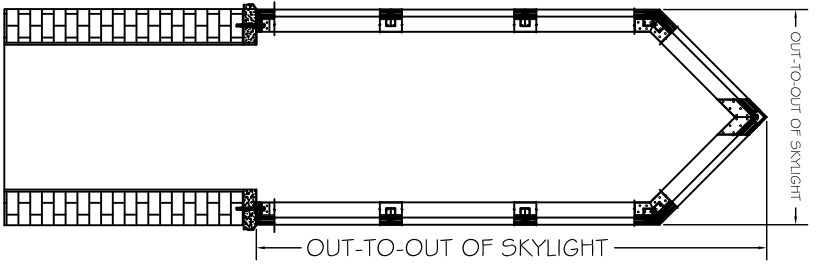


PLAN VIEW

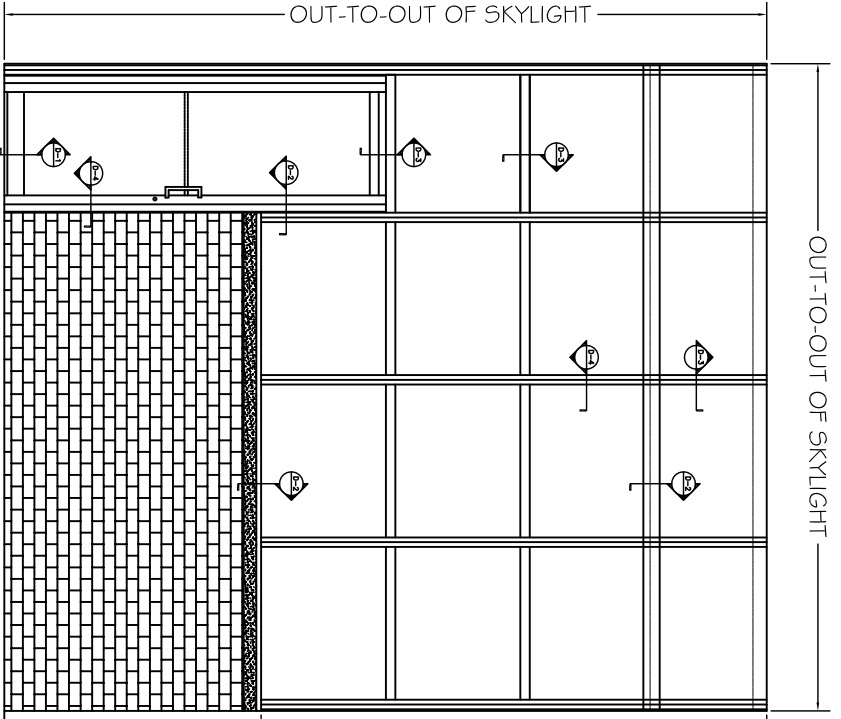


Energy-Glazed Systems, Inc.
 350 Center St. Grayshike, IL 60030(Q) 847-223-4500 (F)847-223-6444

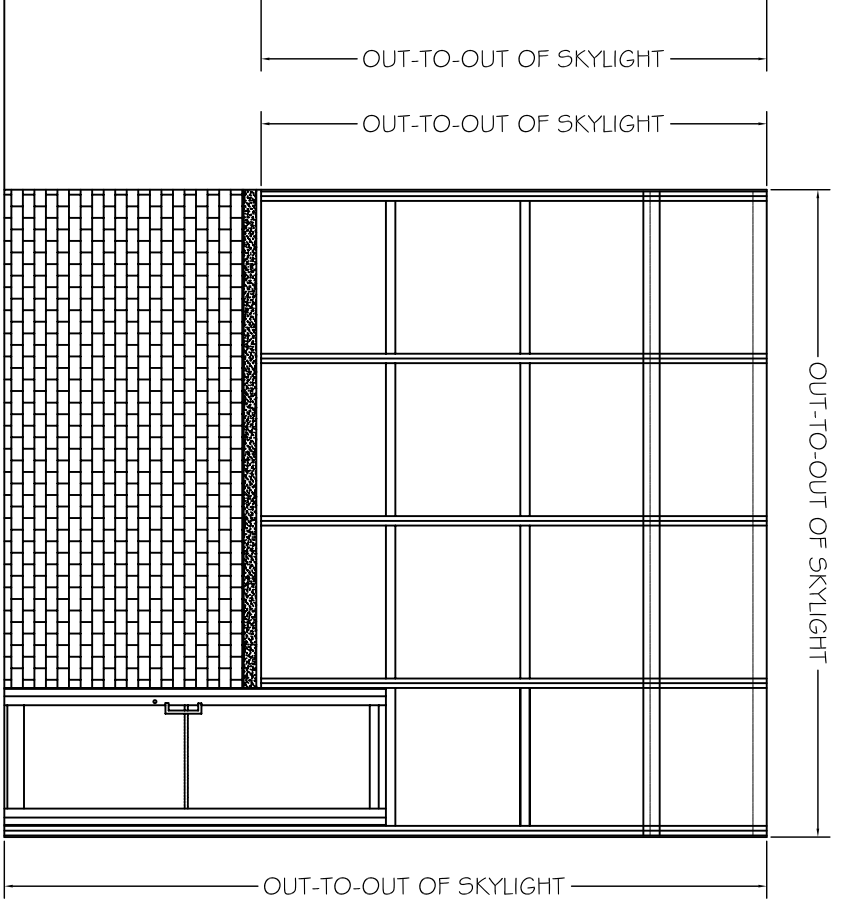
MODULAR STRUCTURE DETAILS



SOUTH ELEVATION



WEST ELEVATION

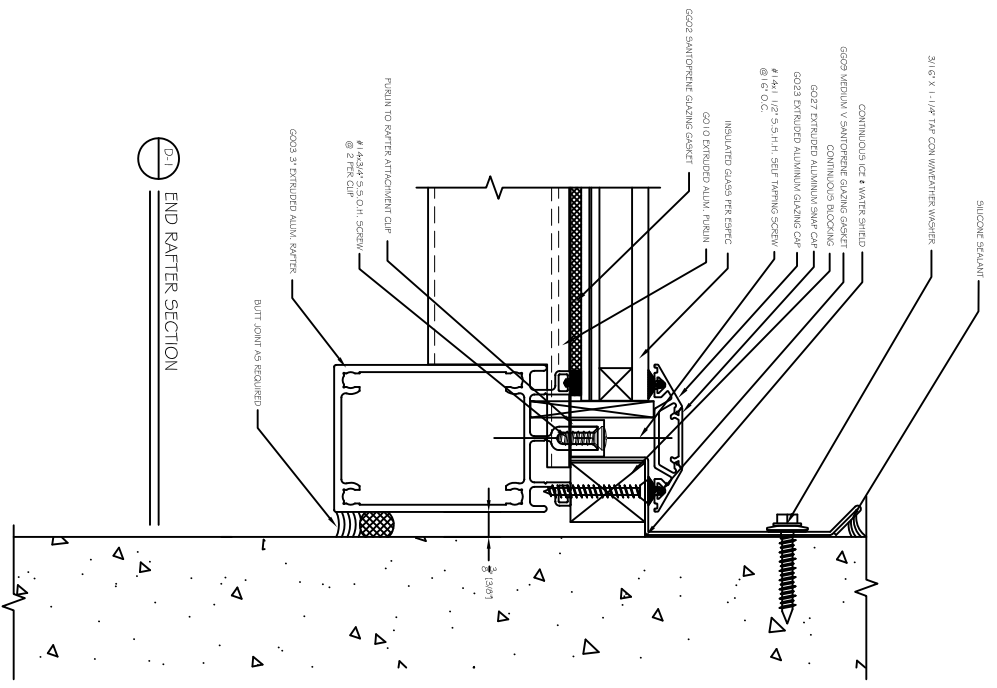


EAST ELEVATION

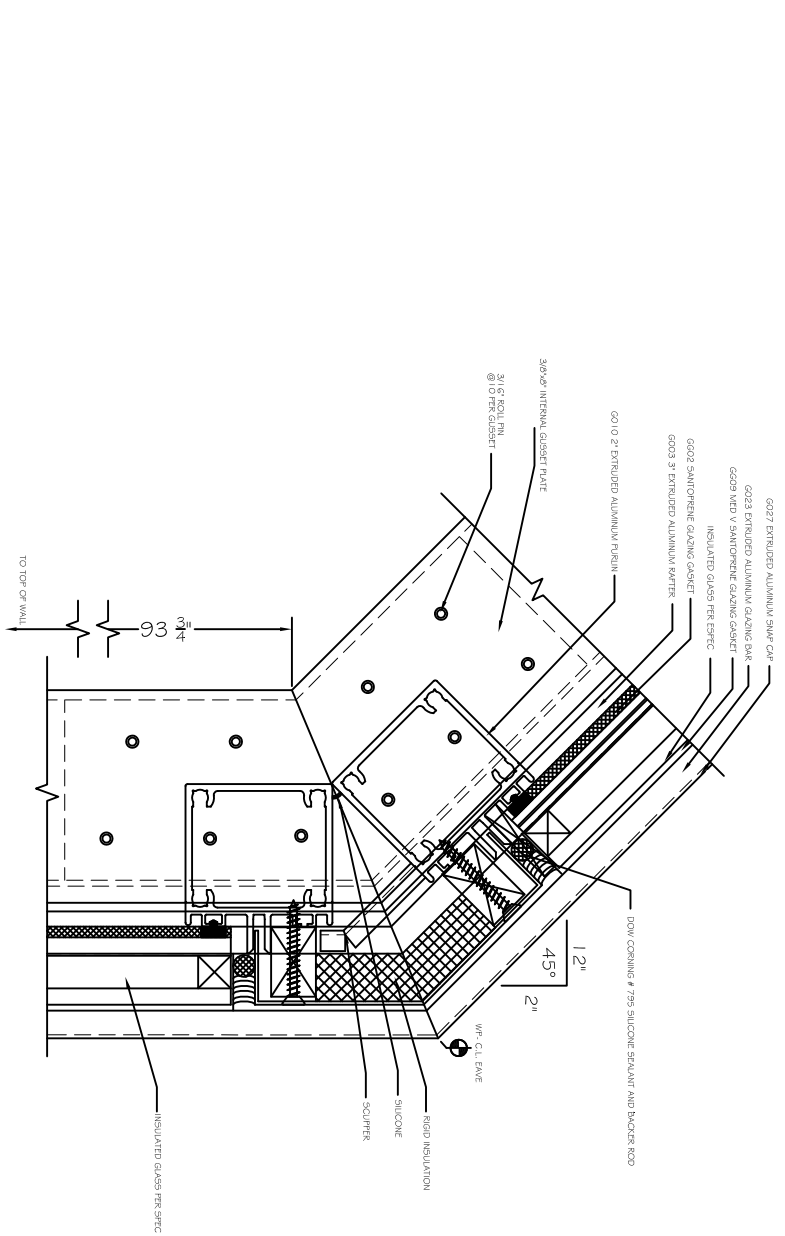


Energy-Glazed Systems, Inc.
 350 Center St. Gary, IN 46703 (P) 847.223.4500 (F) 847.223.6444

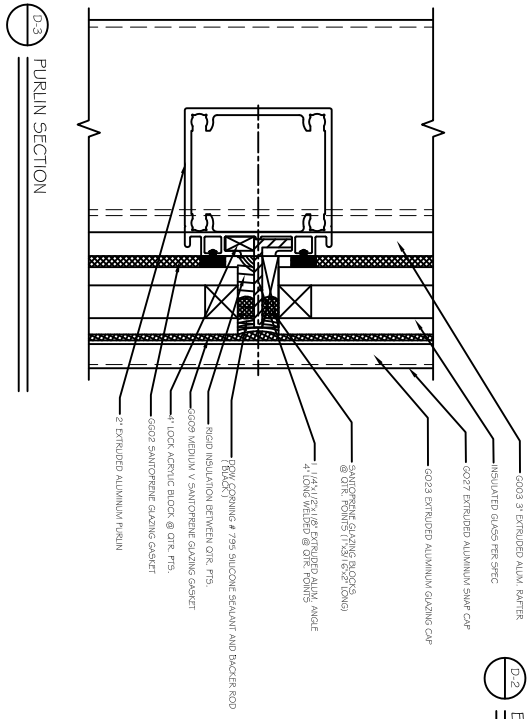
MODULAR STRUCTURE DETAILS



0-2-1 END RAFTER SECTION



0-2-2 EAVE SECTION

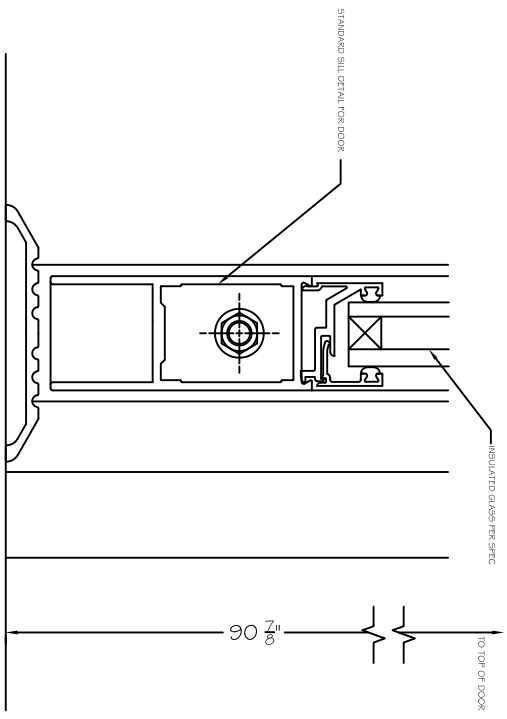


0-2-3 PURLIN SECTION

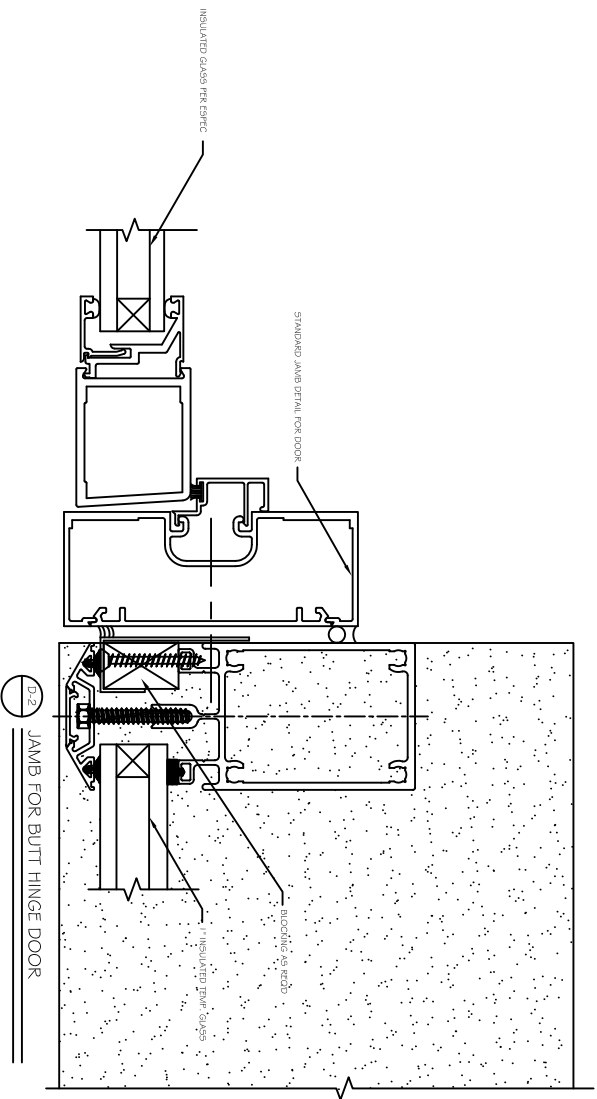
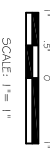


Energy-Glazed Systems, Inc.
 350 Center St. Grayslake, IL 60030(P) 847-223-4500 (F)847-223-6444

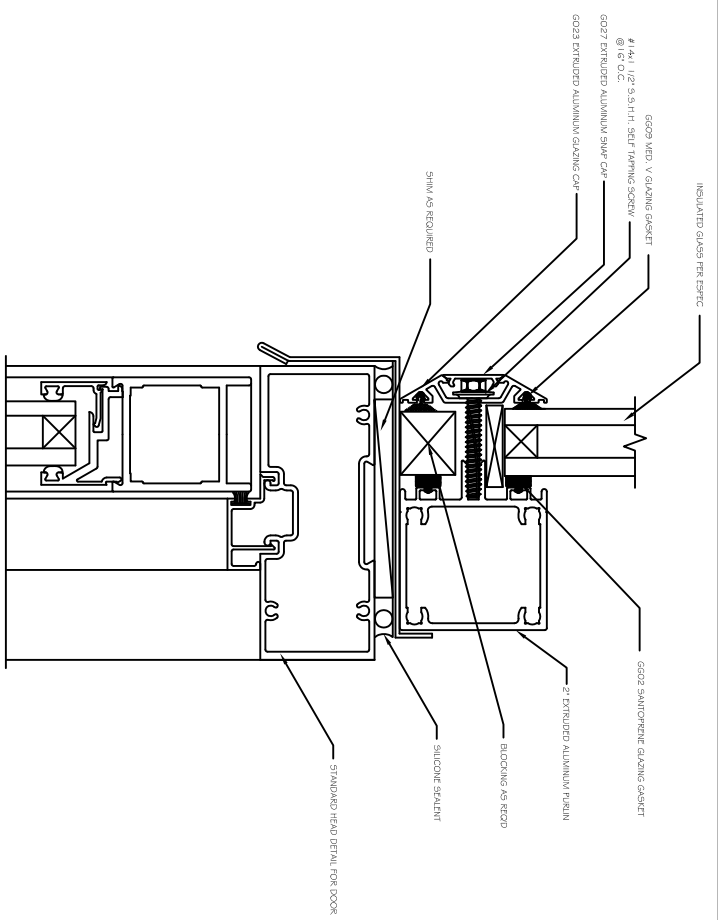
MODULAR STRUCTURE DETAILS



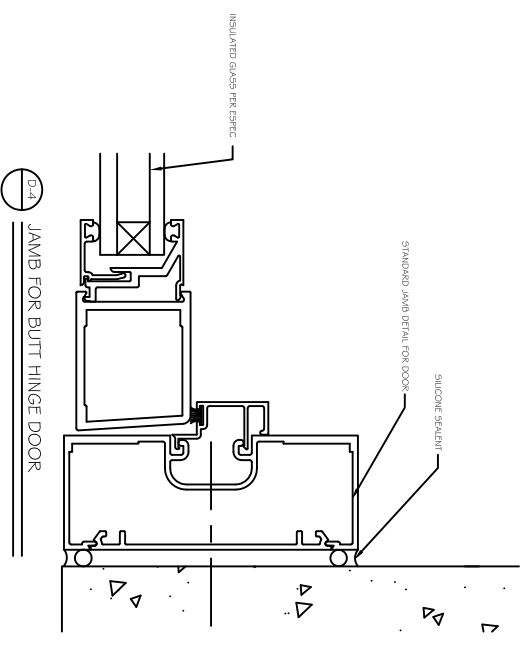
0-1 BOTTOM FOR BUTT HINGE DOOR
SCALE: 1" = 1'-0"



0-2 JAMB FOR BUTT HINGE DOOR



0-3 HEAD FOR BUTT HINGE DOOR

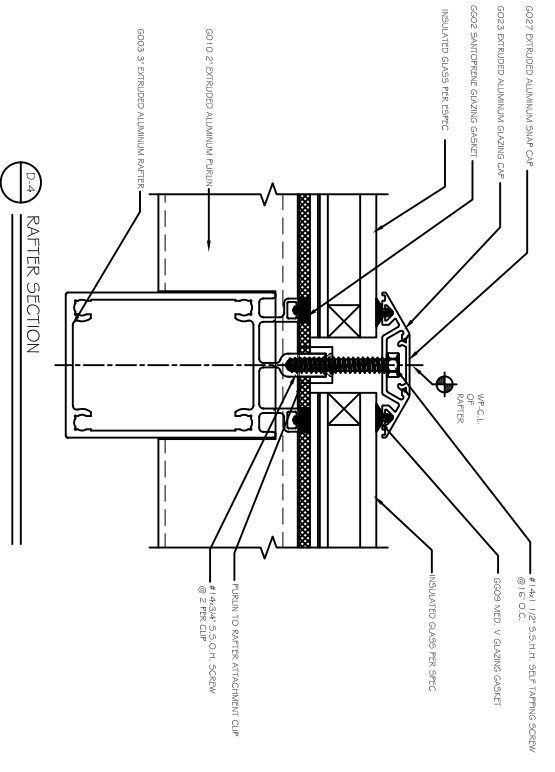
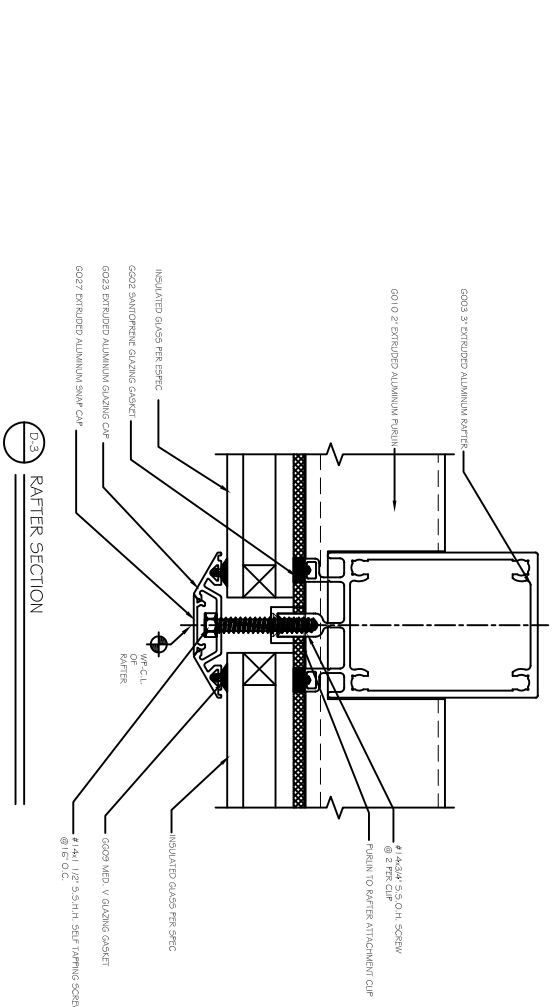
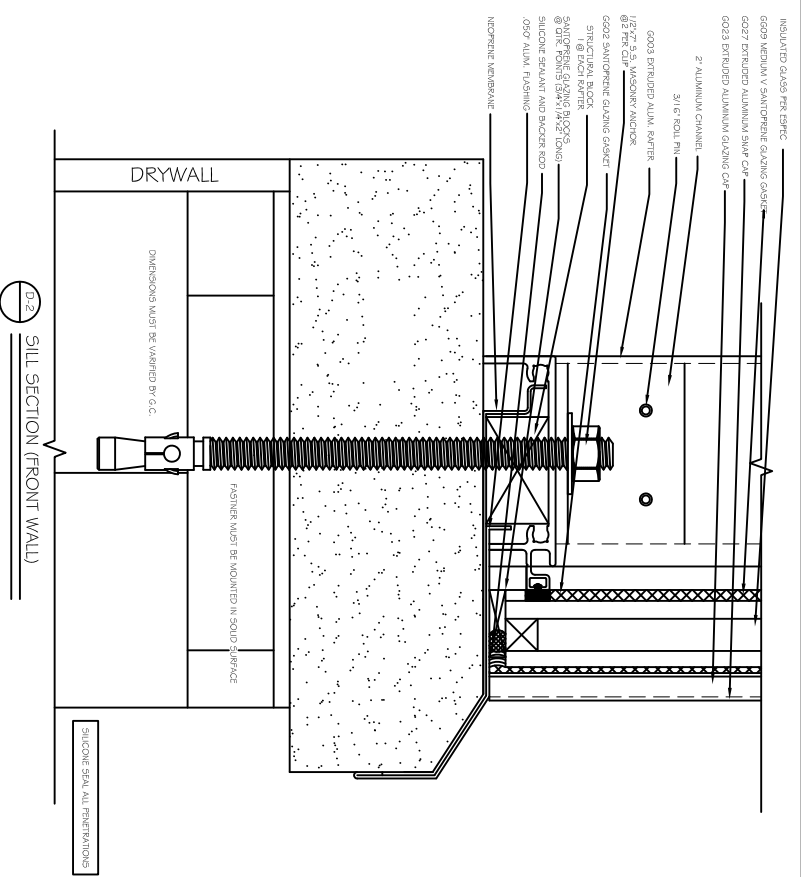
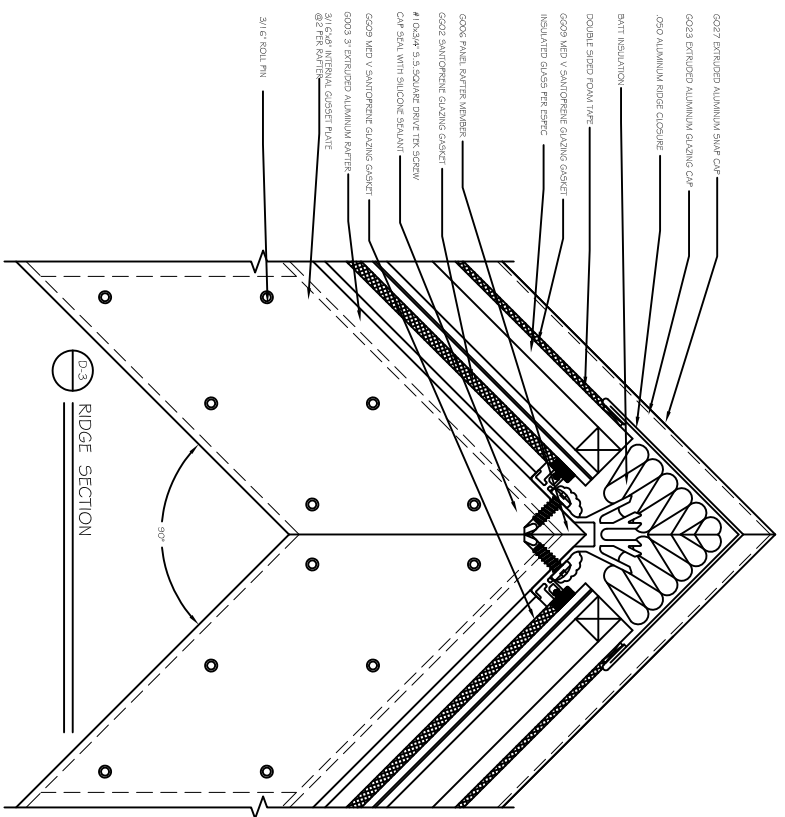


0-4 JAMB FOR BUTT HINGE DOOR



Energy-Glazed Systems, Inc.
350 Center St. Grayslake, IL 60030(P) 847-223-4500 (F)847-223-6444

MODULAR STRUCTURE DETAILS



Energy-Glazed Systems, Inc.
 350 Center St. Grayslake, IL 60030(P) 847-223-4500 (F)847-223-6444

MODULAR STRUCTURE DETAILS