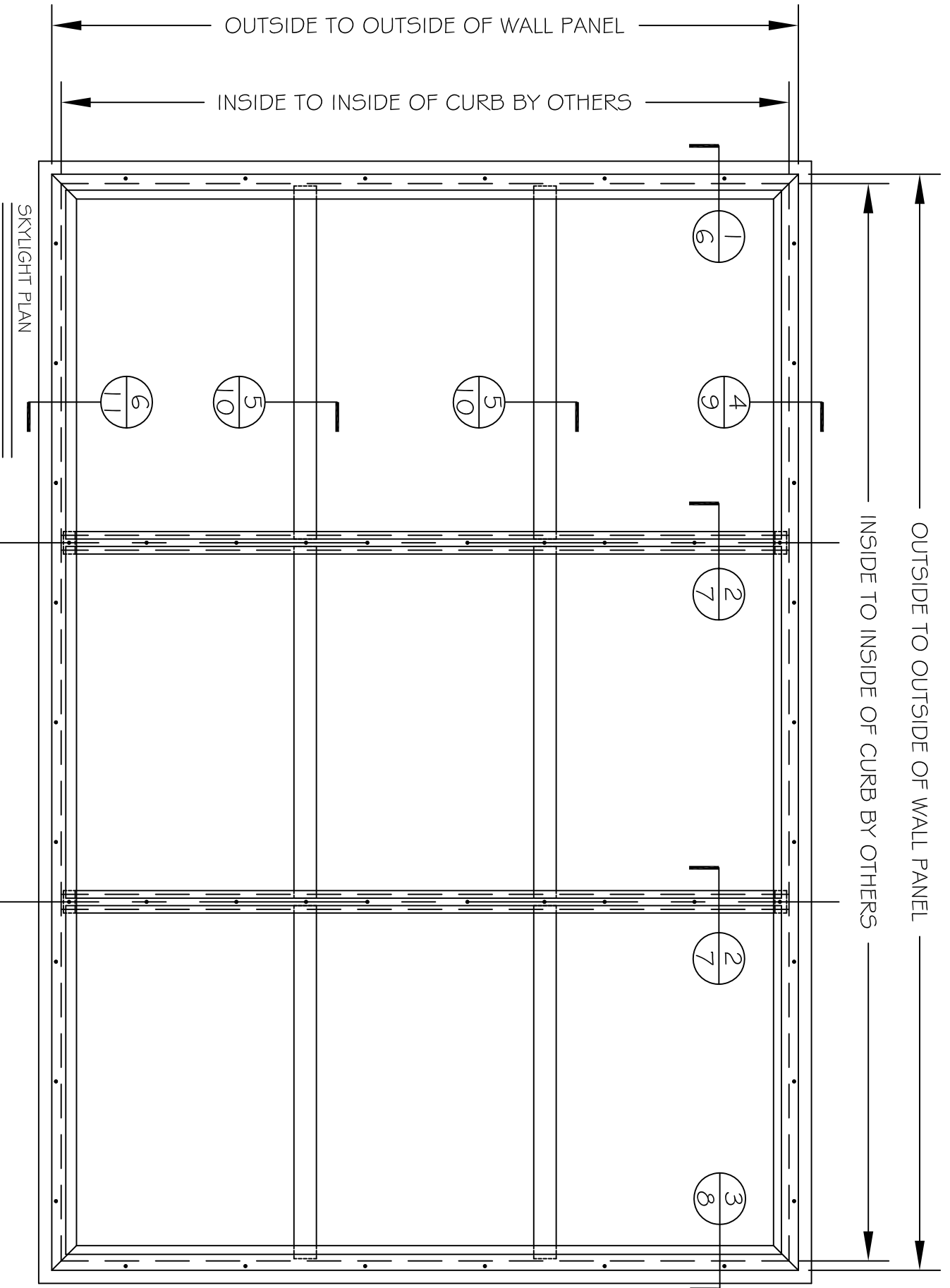
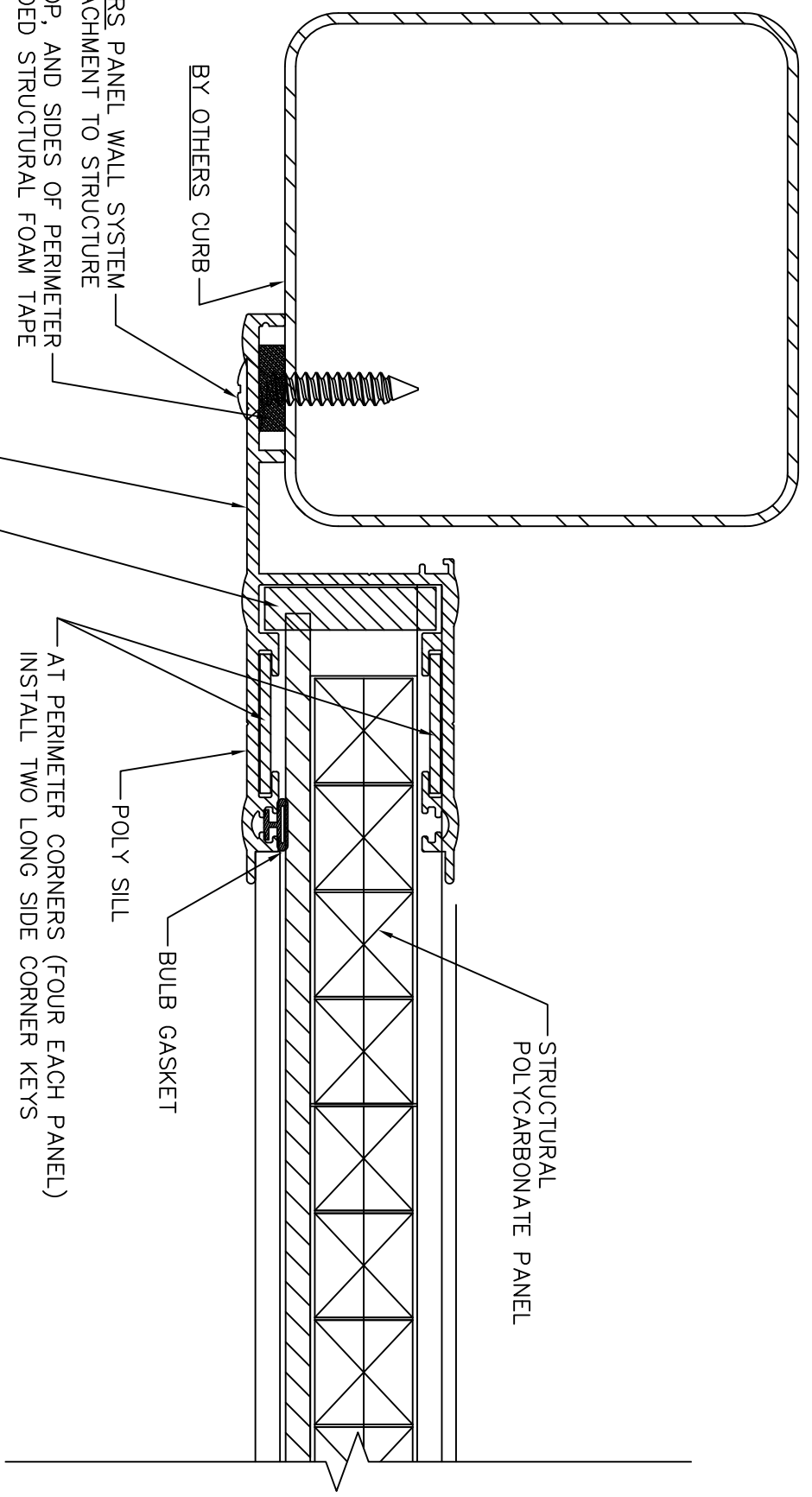




Energy-Glazed Systems, Inc.
350 Center St. Graylake, IL 60030(P) 847-223-4500 (F)847-223-6444



WALL PANEL SYSTEM DETAIL



CONTINUOUS WELD ON EXTERIOR SURFACE OF MITERED CORNERS (FOUR EACH PANEL)

BY OTHERS PANEL WALL SYSTEM ATTACHMENT TO STRUCTURE
 CONTINUOUS AT TOP, AND SIDES OF PERIMETER DOUBLE SIDED STRUCTURAL FOAM TAPE

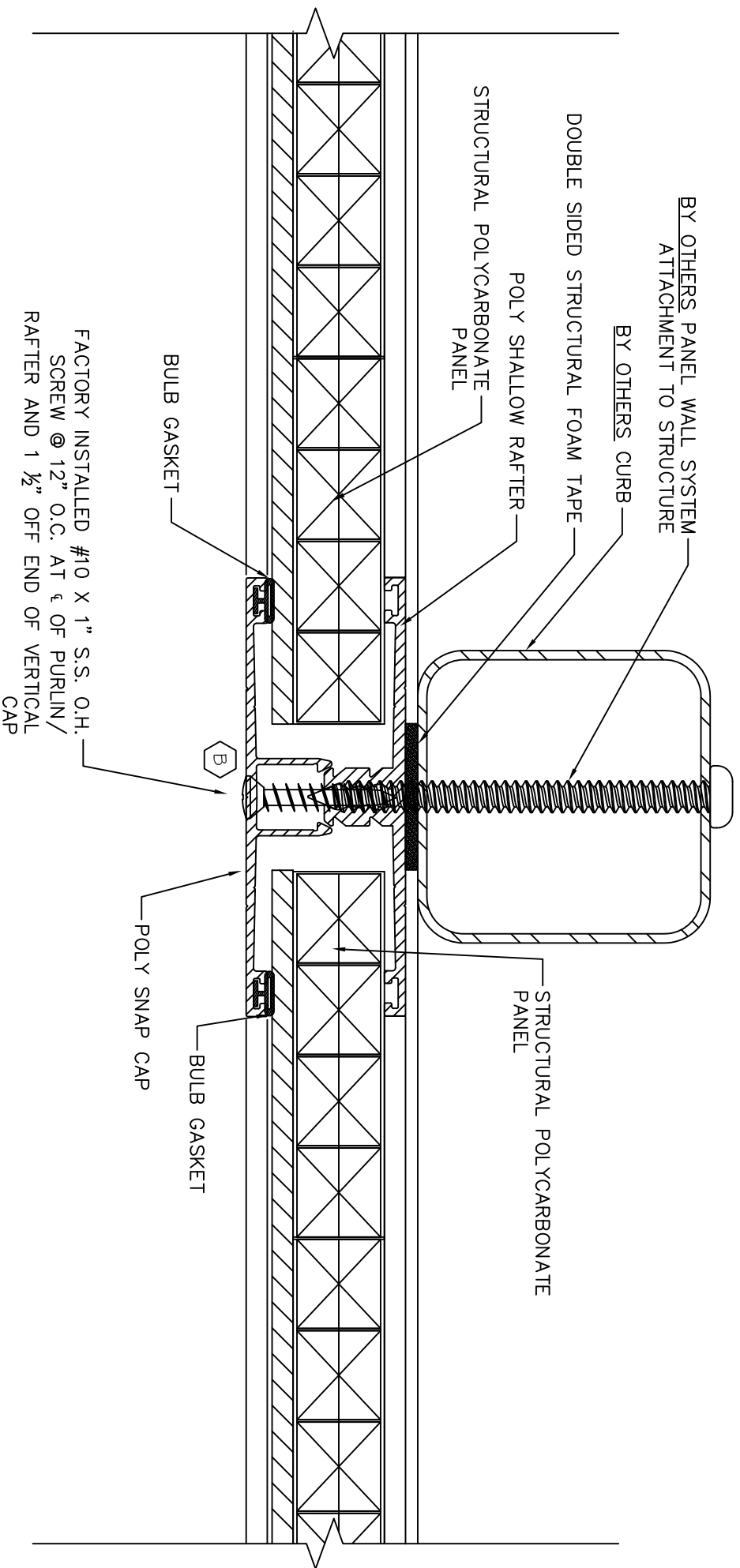
AT PERIMETER CORNERS (FOUR EACH PANEL) INSTALL LONG CORNER KEYS
 AT PERIMETER CORNERS (FOUR EACH PANEL) INSTALL TWO LONG SIDE CORNER KEYS

DETAIL 1
 FULL SIZE



Energy-Glazed Systems, Inc.
 350 Center St. Grayslake, IL 60030(EP) 847-223-4500 (F)847-223-6444

WALL PANEL SYSTEM DETAIL



DETAIL 2

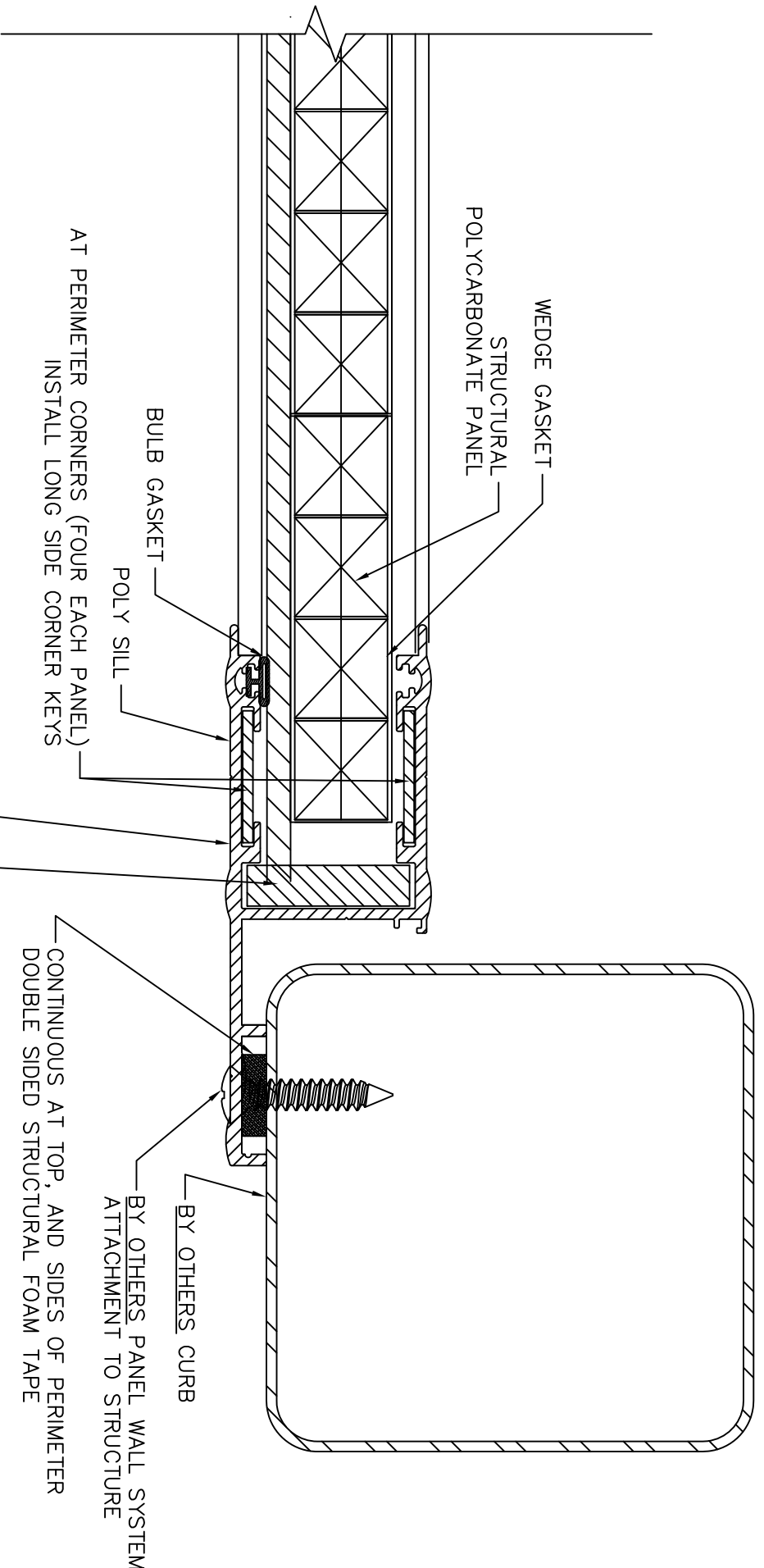
FULL SIZE

WALL PANEL SYSTEM DETAIL



Energy-Glazed Systems, Inc.

350 Center St. Grayslake, IL 60030(P) 847-223-4500 (F)847-223-6444



WEDGE GASKET
STRUCTURAL
POLYCARBONATE PANEL

BULB GASKET
POLY SILL

AT PERIMETER CORNERS (FOUR EACH PANEL)
INSTALL LONG SIDE CORNER KEYS

CONTINUOUS WELD ON EXTERIOR SURFACE
OF MITERED CORNERS (FOUR EACH
PANEL)

AT PERIMETER CORNERS (FOUR EACH PANEL)
INSTALL LONG CORNER KEY

CONTINUOUS AT TOP, AND SIDES OF PERIMETER
DOUBLE SIDED STRUCTURAL FOAM TAPE

BY OTHERS CURRB
BY OTHERS PANEL WALL SYSTEM
ATTACHMENT TO STRUCTURE

DETAIL 3
FULL SIZE



Energy-Glazed Systems, Inc.

350 Center St. Grayslake, IL 60030(EP) 847-223-4500 (F)847-223-6444

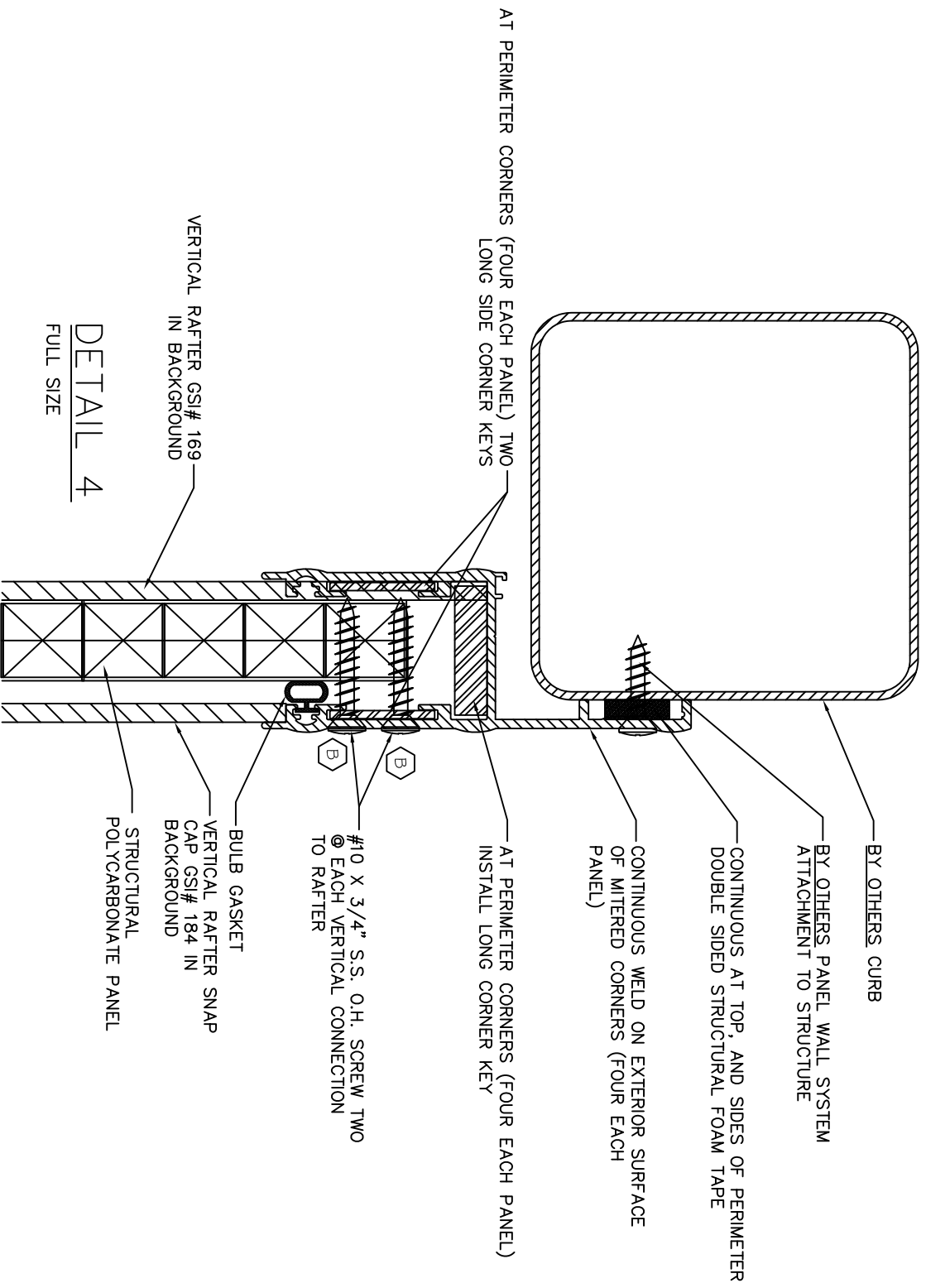
WALL PANEL SYSTEM DETAIL

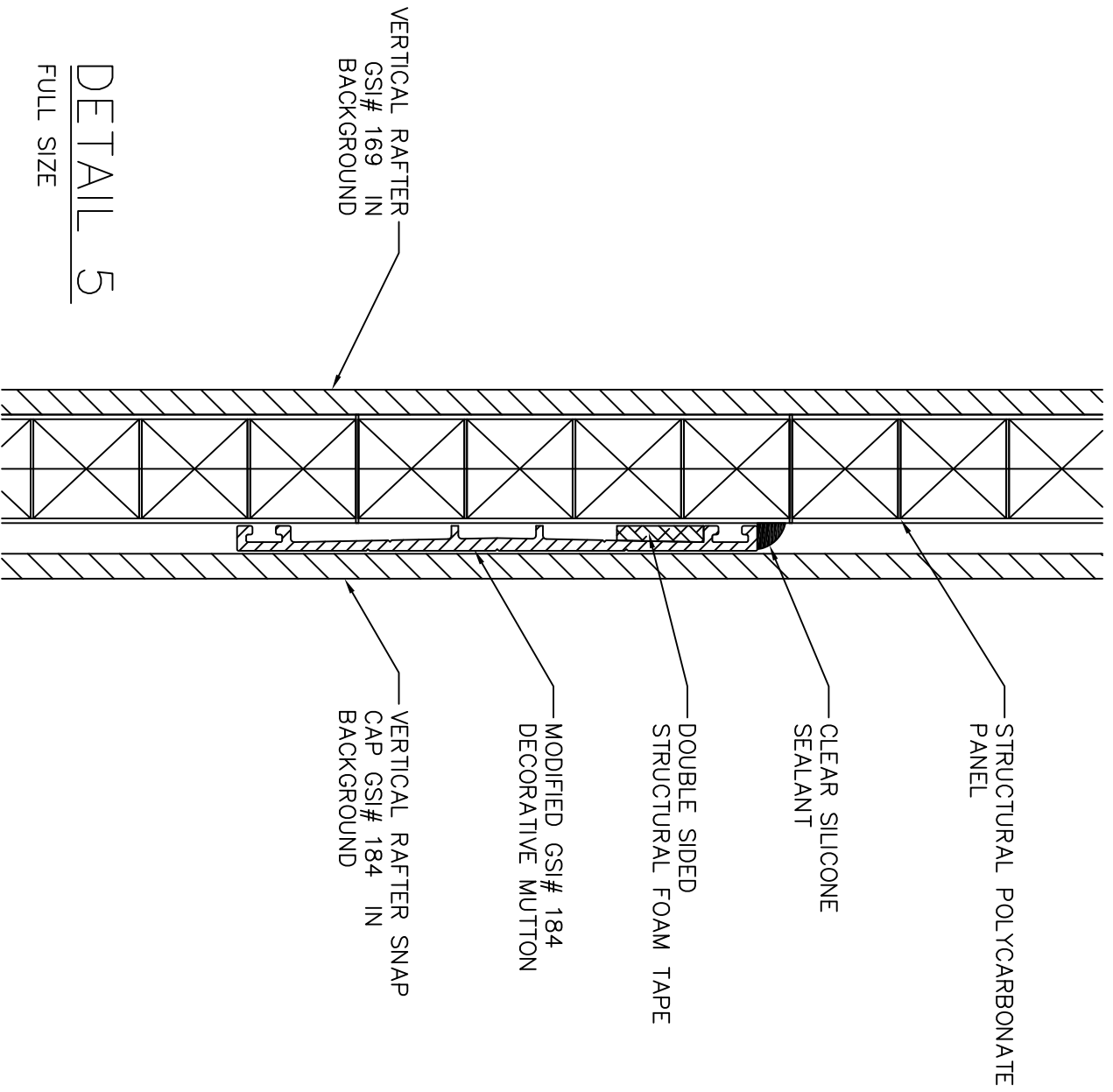


Energy-Glazed Systems, Inc.

350 Center St. Grayville, IL 60030(P) 847.223.4500 (F)847.223.6444

WALL PANEL SYSTEM DETAIL





DETAIL 5
 FULL SIZE



Energy-Glazed Systems, Inc.
 350 Center St. Grayslake, IL 60030(P) 847-223-4500 (F)847-223-6444

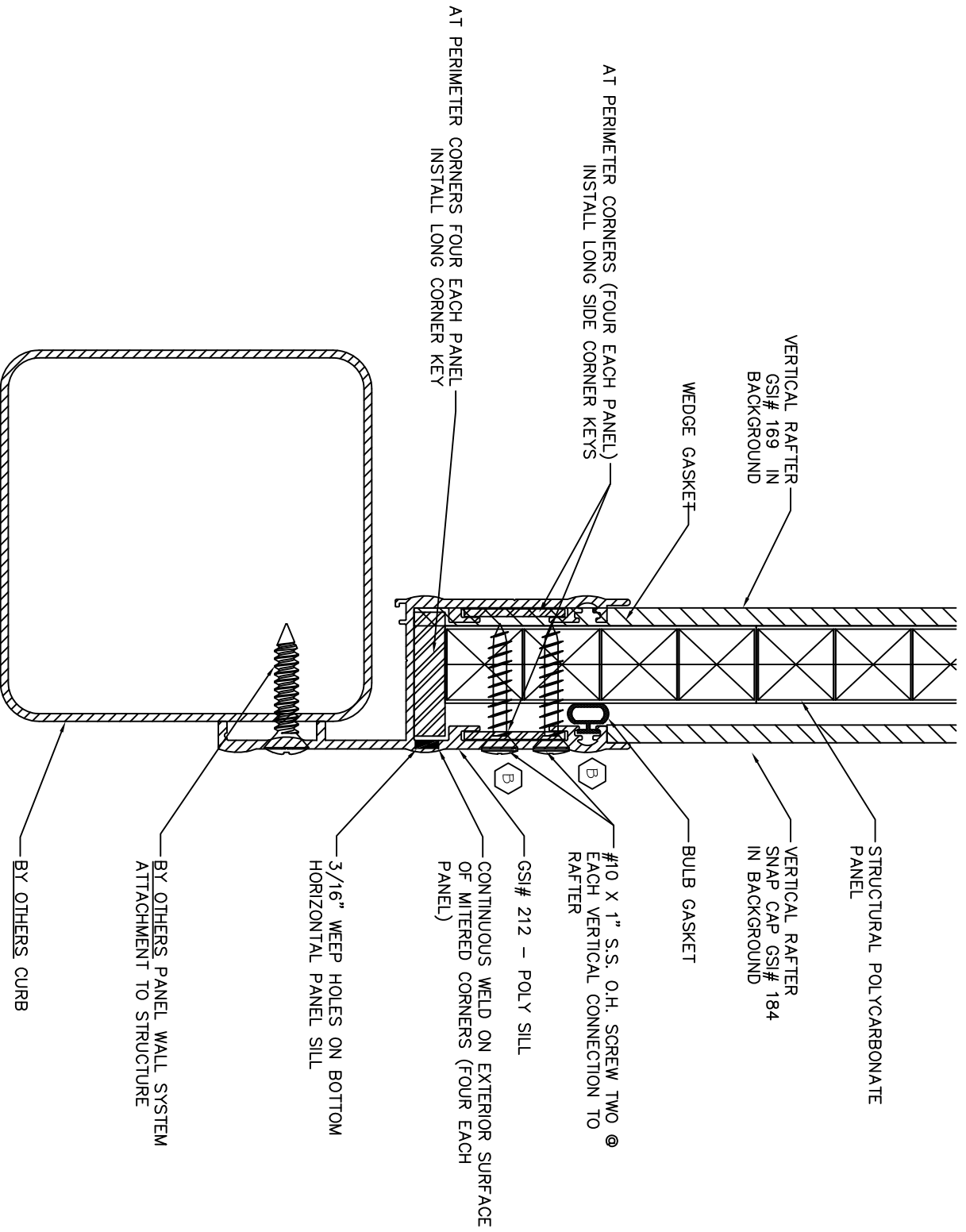
WALL PANEL SYSTEM DETAIL



Energy-Glazed Systems, Inc.

350 Center St. Grayville, IL 60030(P) 847.223.4500 (F)847.223.6444

WALL PANEL SYSTEM DETAIL



DETAIL 6

FULL SIZE