

**Energy-Glazed Systems, Inc.**

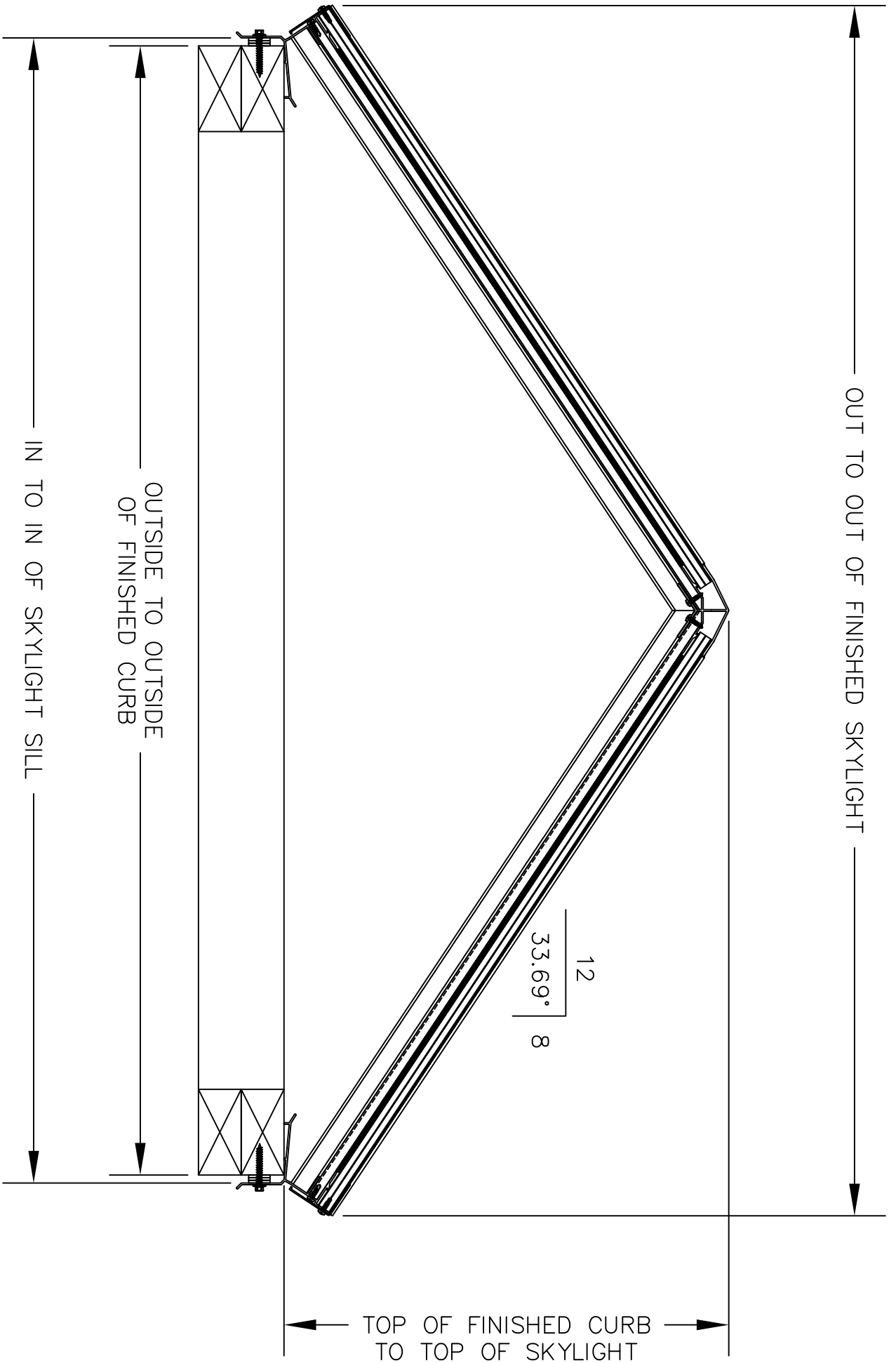
350 Center St. Grayshale, IL 60030(P) 847-223-4500 (F)847-223-6444

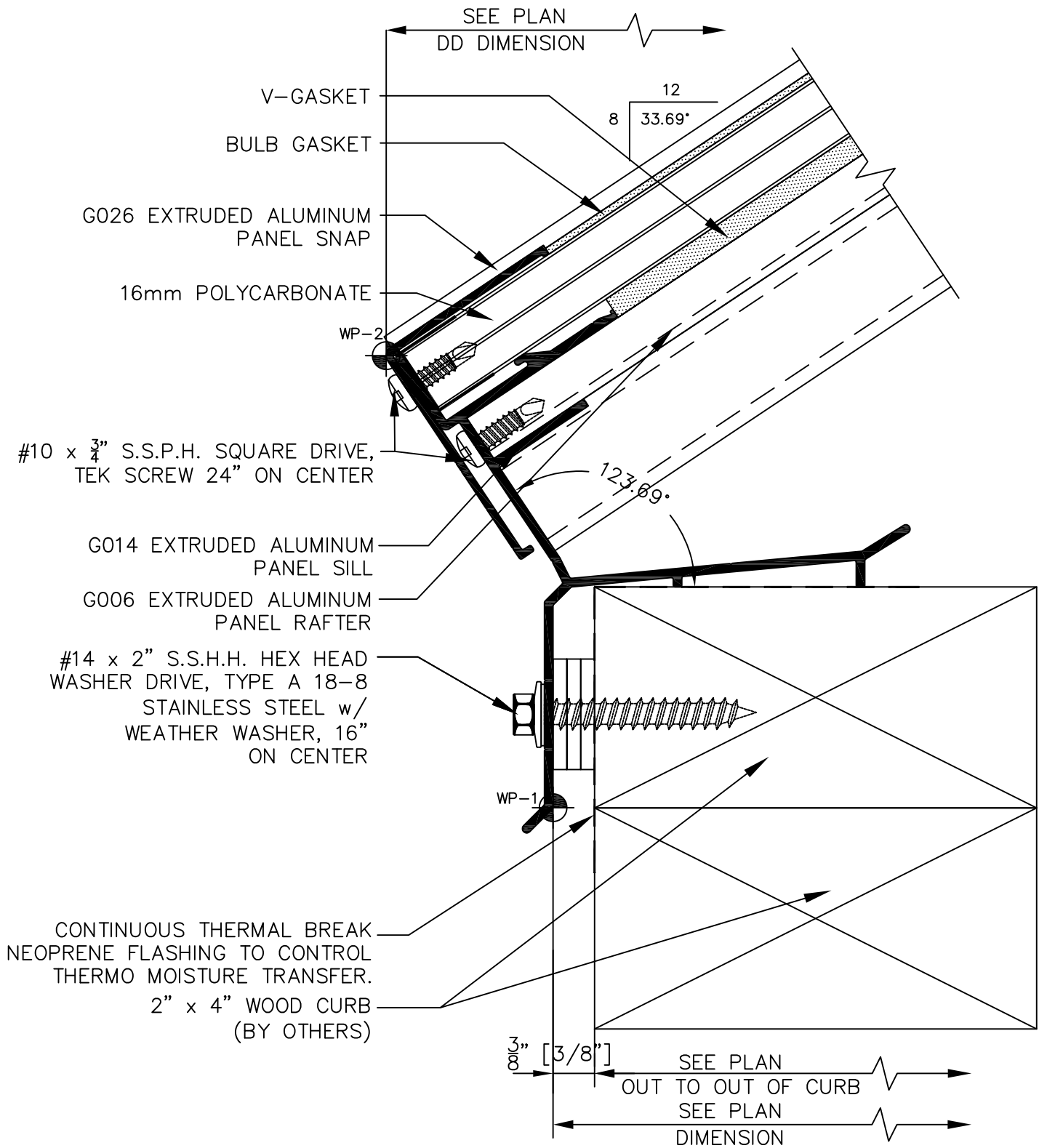
# STRUCTURAL POLYCARBONATE GABLE RIDGE DETAIL



**Energy-Glazed Systems, Inc.**  
350 Center St., Grayshale, IL 60030(P) 847 223-4500 (F)847 223 6444

# STRUCTURAL POLYCARBONATE GABLE RIDGE DETAIL

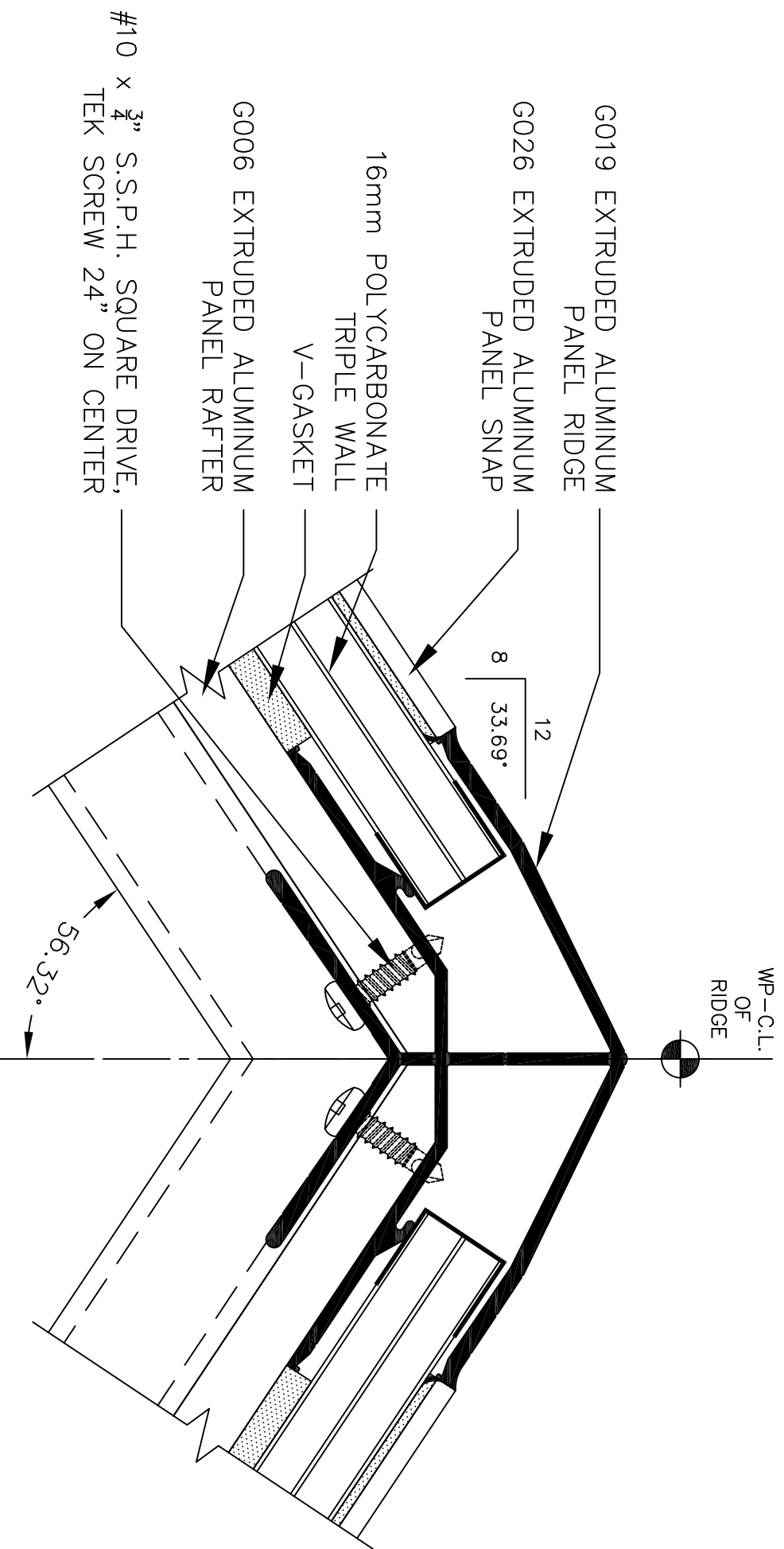




**Energy-Glazed Systems, Inc.**

350 Center St. Grayslake, IL 60030(P) 847-223-4500 (F)847-223-6444

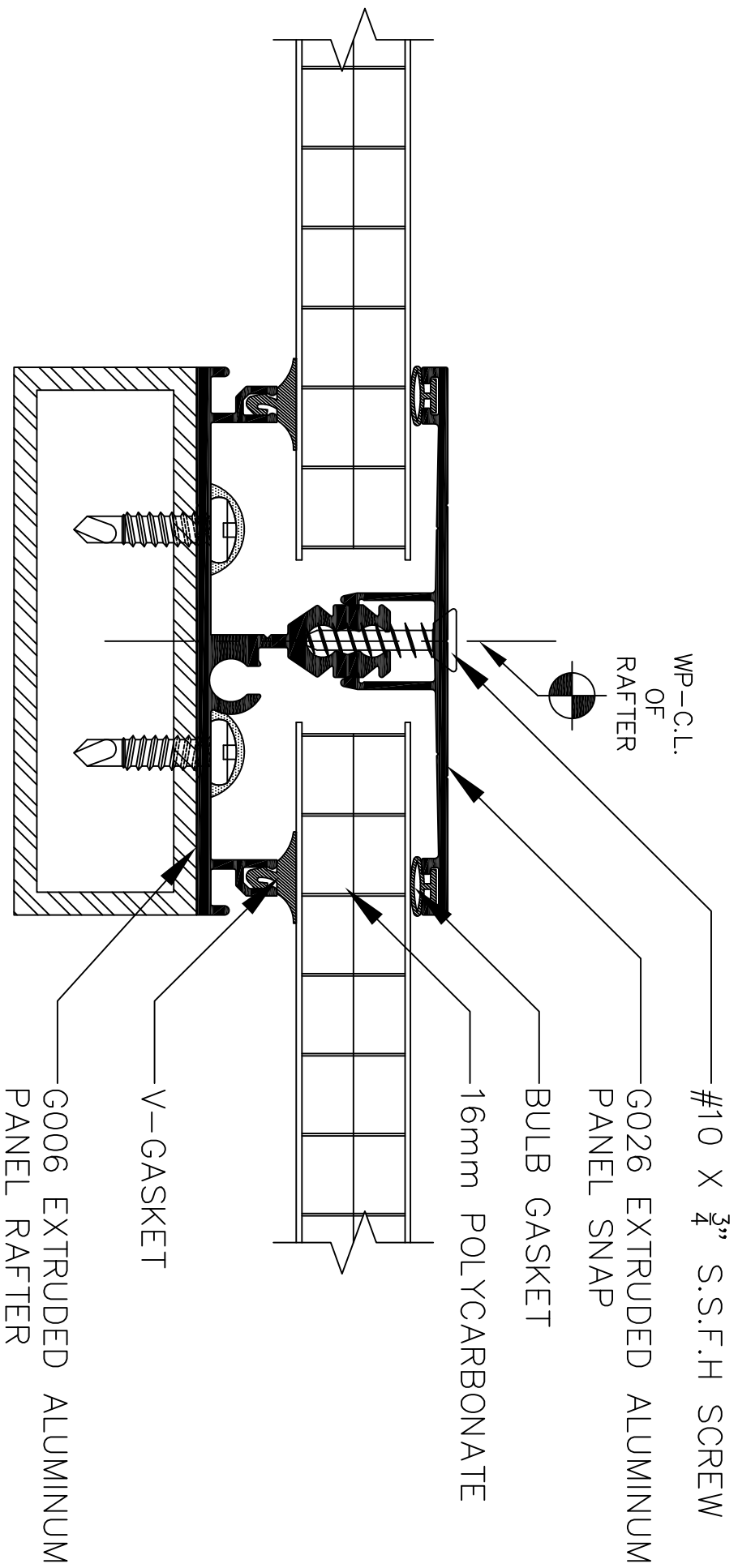
**STRUCTURAL POLYCARBONATE GABLE RIDGE DETAIL**



**Energy-Glazed Systems, Inc.**

350 Center St. Grayshale, IL 60030(P) 847-223-4500 (F) 847-223-6444

**STRUCTURAL POLYCARBONATE GABLE RIDGE DETAIL**

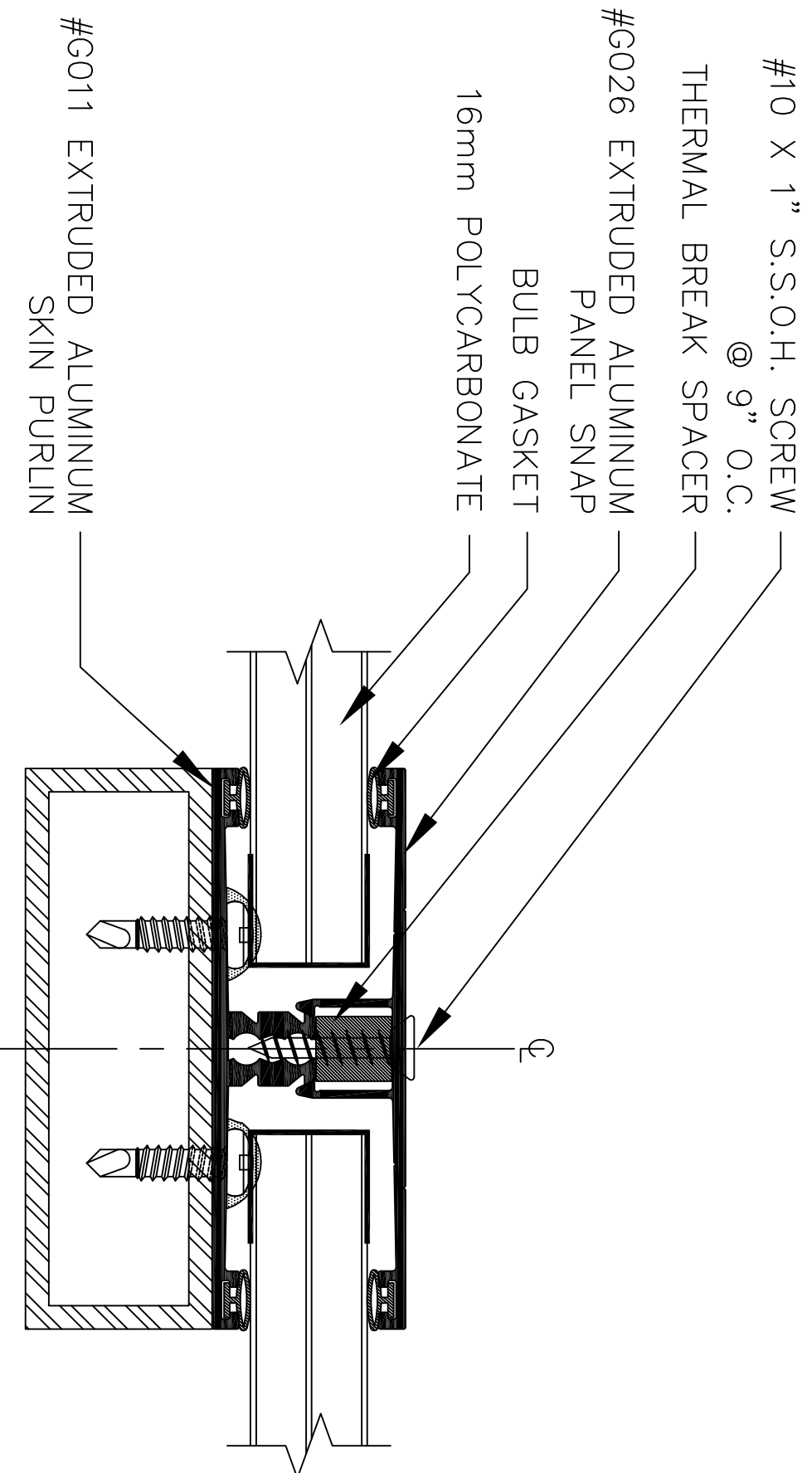


## STRUCTURAL POLYCARBONATE GABLE RIDGE DETAIL



**Energy-Glazed Systems, Inc.**

350 Center St. Grayslake, IL 60030(P) 847-223-4500 (F)847-223-6444



#10 X 1" S.S.O.H. SCREW  
@ 9" O.C.

THERMAL BREAK SPACER

#G026 EXTRUDED ALUMINUM  
PANEL SNAP

BULB GASKET

16mm POLYCARBONATE

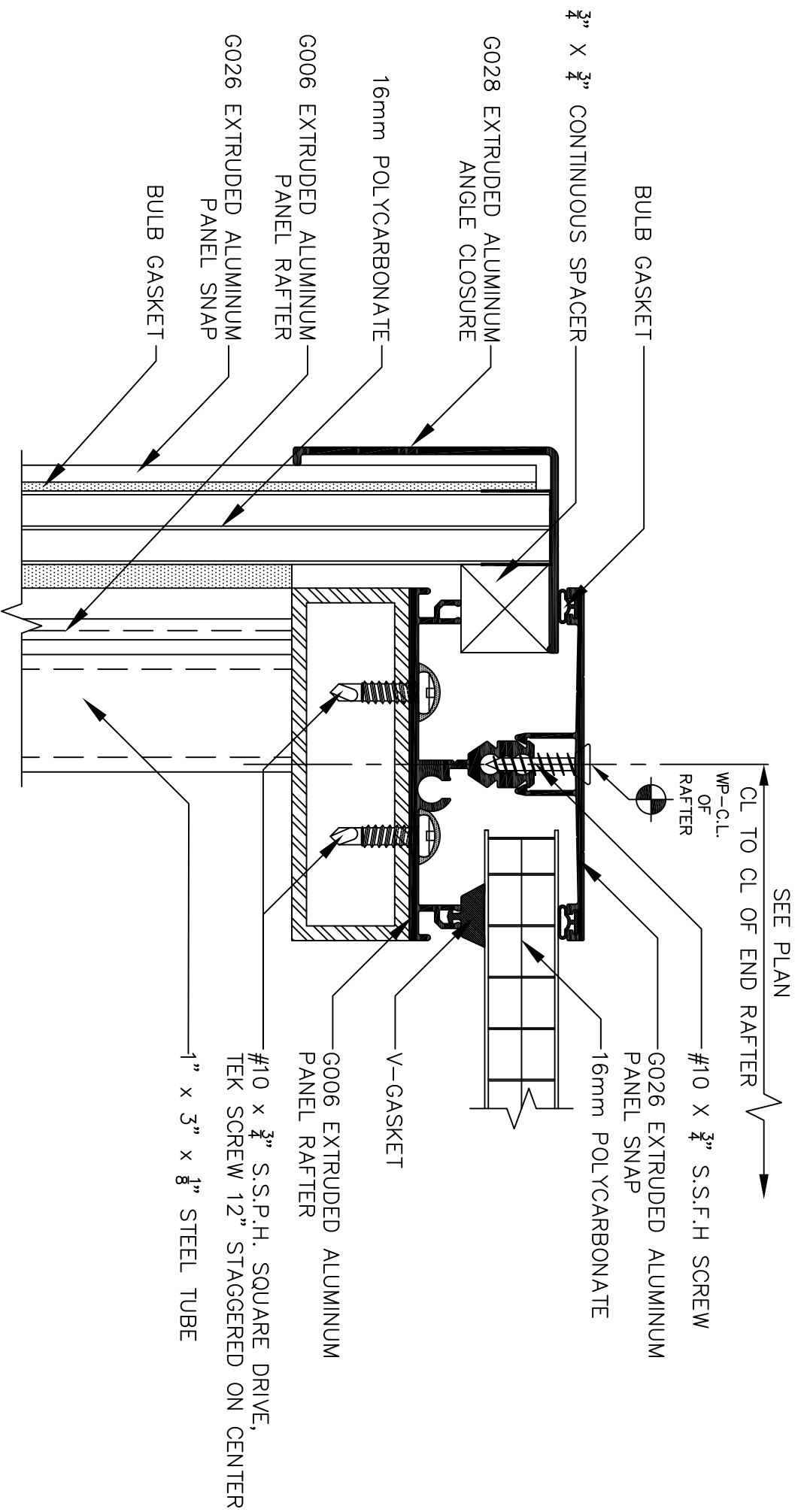
#G011 EXTRUDED ALUMINUM  
SKIN PURLIN

**STRUCTURAL POLYCARBONATE GABLE RIDGE DETAIL**



**Energy-Glazed Systems, Inc.**

350 Center St. Grayslake, IL 60030(P) 847-223-4500 (F)847-223-6444



# STRUCTURAL POLYCARBONATE GABLE RIDGE DETAIL



**Energy-Glazed Systems, Inc.**

350 Center St., Grayshaker, IL 60030(P) 847-223-4500 (F)847-223-6444

G006 EXTRUDED ALUMINUM  
PANEL RAFTER

G026 EXTRUDED ALUMINUM  
PANEL SNAP

SILICONE SEALANT

BULB GASKET

16mm POLYCARBONATE

WELD

#14 x 2" S.S.H.H. HEX HEAD  
WASHER DRIVE, TYPE A 18-8  
STAINLESS STEEL w/ WEATHER  
WASHER, 16" ON CENTER

CONTINUOUS THERMAL BREAK  
NEOPRENE FLASHING TO CONTROL  
THERMO MOISTURE TRANSFER.  
2" x 4" WOOD CURB  
(BY OTHERS)

$\frac{3}{8}$ " [ $\frac{3}{8}$ "]

SEE PLAN  
OUT TO OUT OF CURB  
SEE PLAN  
DIMENSION



**Energy-Glazed Systems, Inc.**

350 Center St. Grayslake, IL 60030(P) 847-223-4500 (F)847-223-6444

STRUCTURAL POLYCARBONATE GABLE RIDGE DETAIL