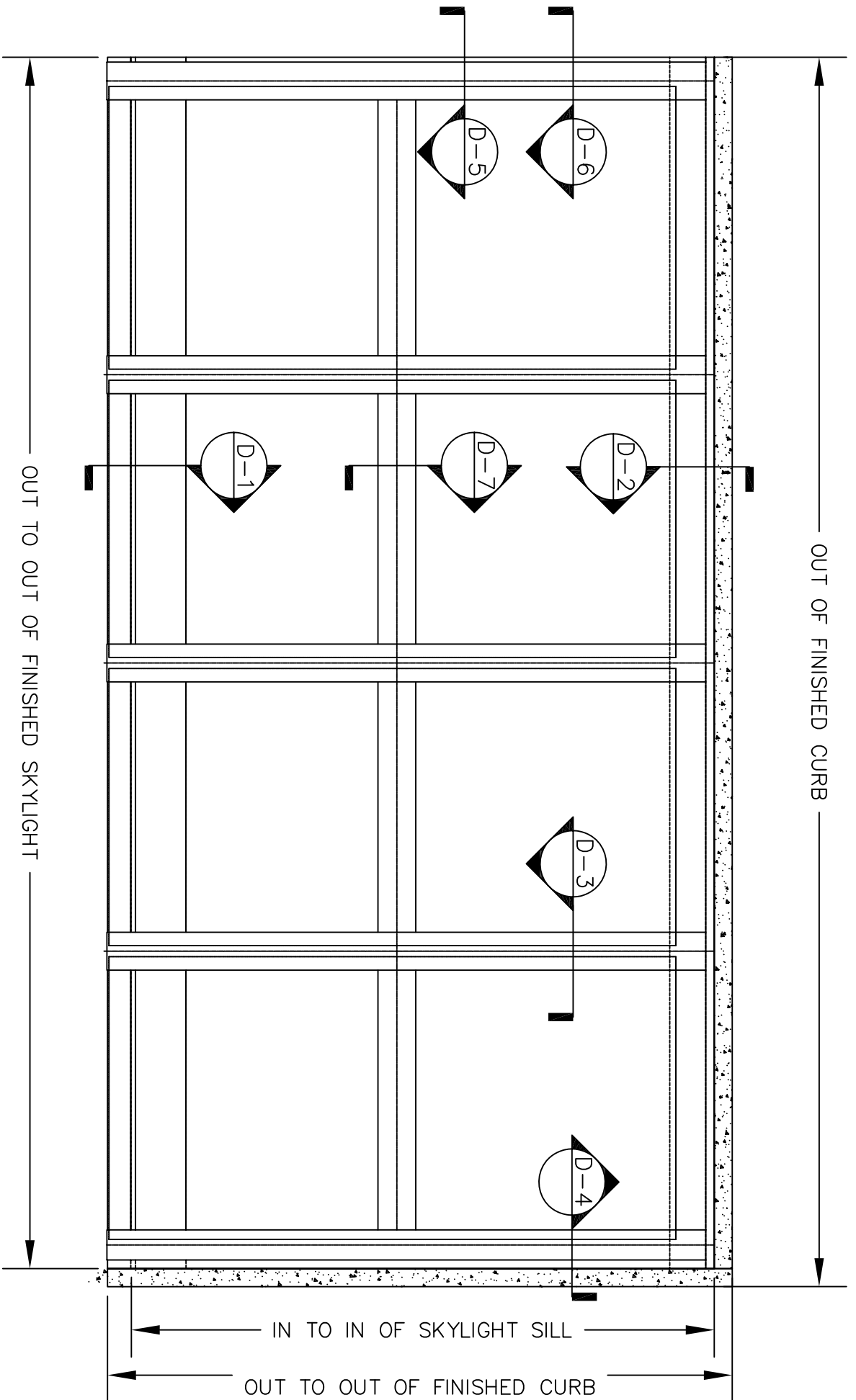




Energy-Glazed Systems, Inc.
350 Center St. Grayson, IL 60030 (P) 847-223-4500 (F) 847-223-6444

STRUCTURAL POLYCARBONATE LEAN-TO DETAIL



D-2

TOP OF FINISHED CURB
TO TOP OF SKYLIGHT

12
45°
12

D-1

WALL TO OUTSIDE
DIMENSION OF CURB

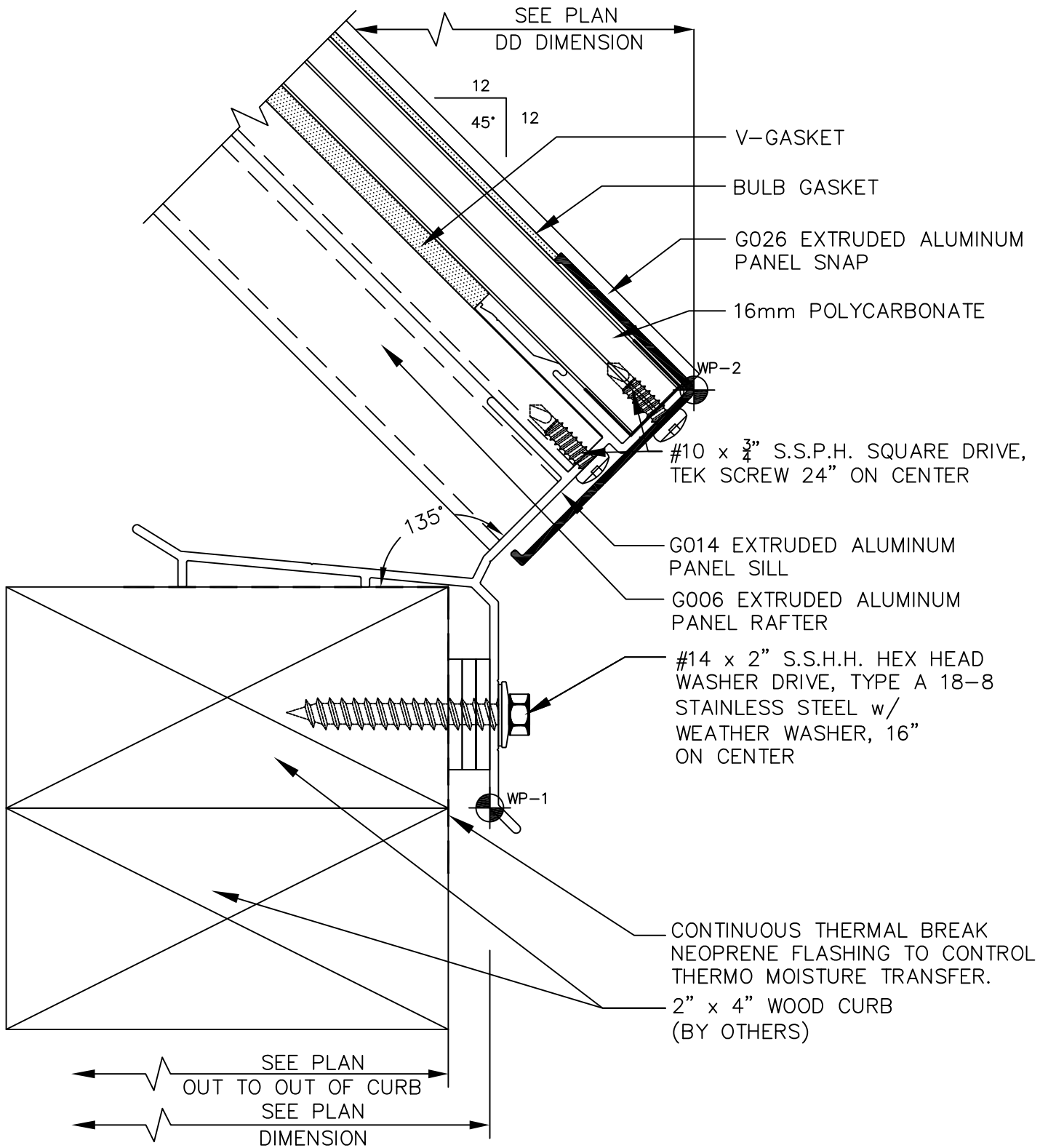
IN TO IN OF SKYLIGHT SILL AND HEAD



Energy-Glazed Systems, Inc.

350 Center St. Grayslake, IL 60030(P) 847-223-4500 (F)847-223-6444

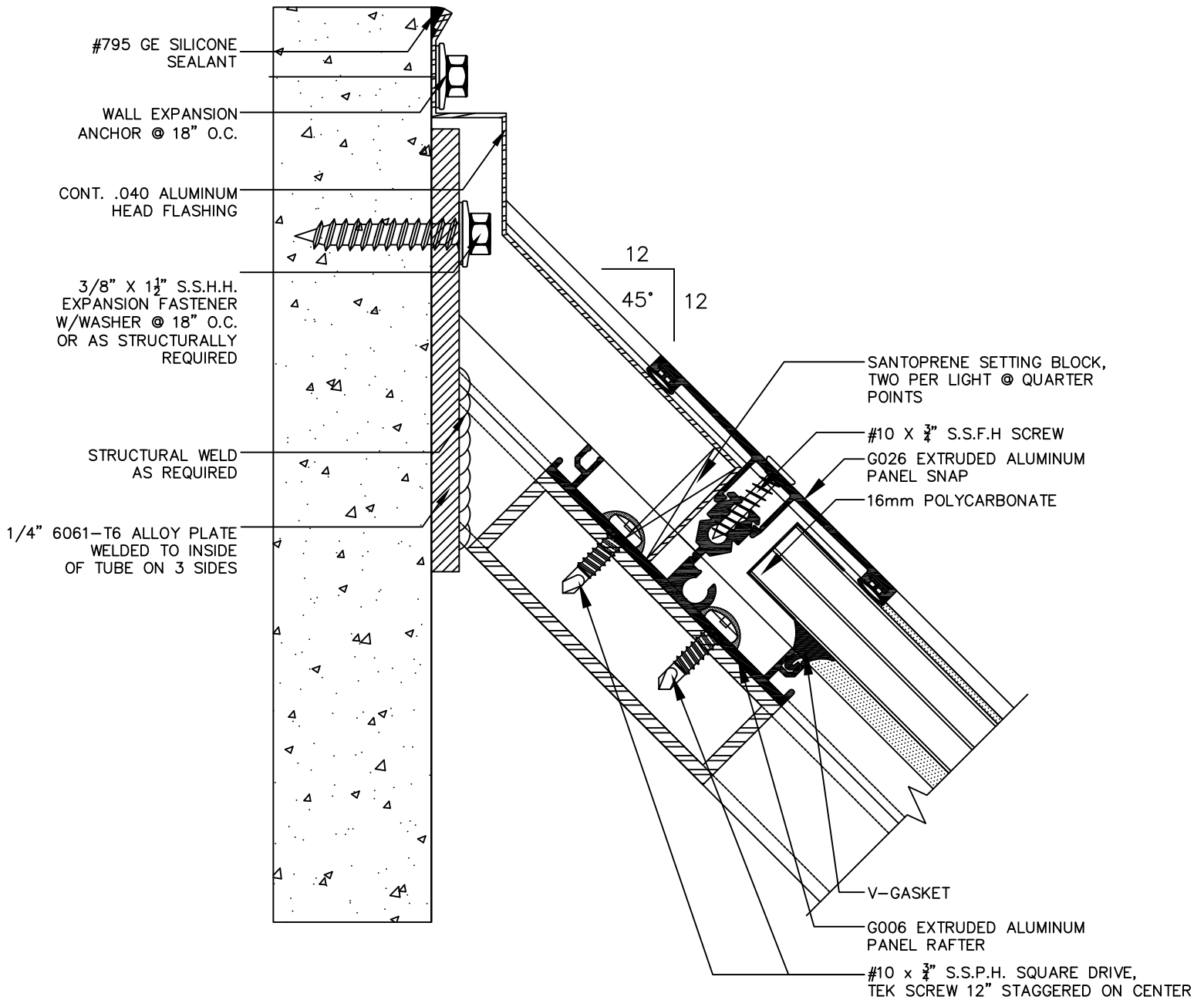
STRUCTURAL POLYCARBONATE LEAN-TO DETAIL



Energy-Glazed Systems, Inc.

350 Center St. Grayslake, IL 60030(P) 847-223-4500 (F)847-223-6444

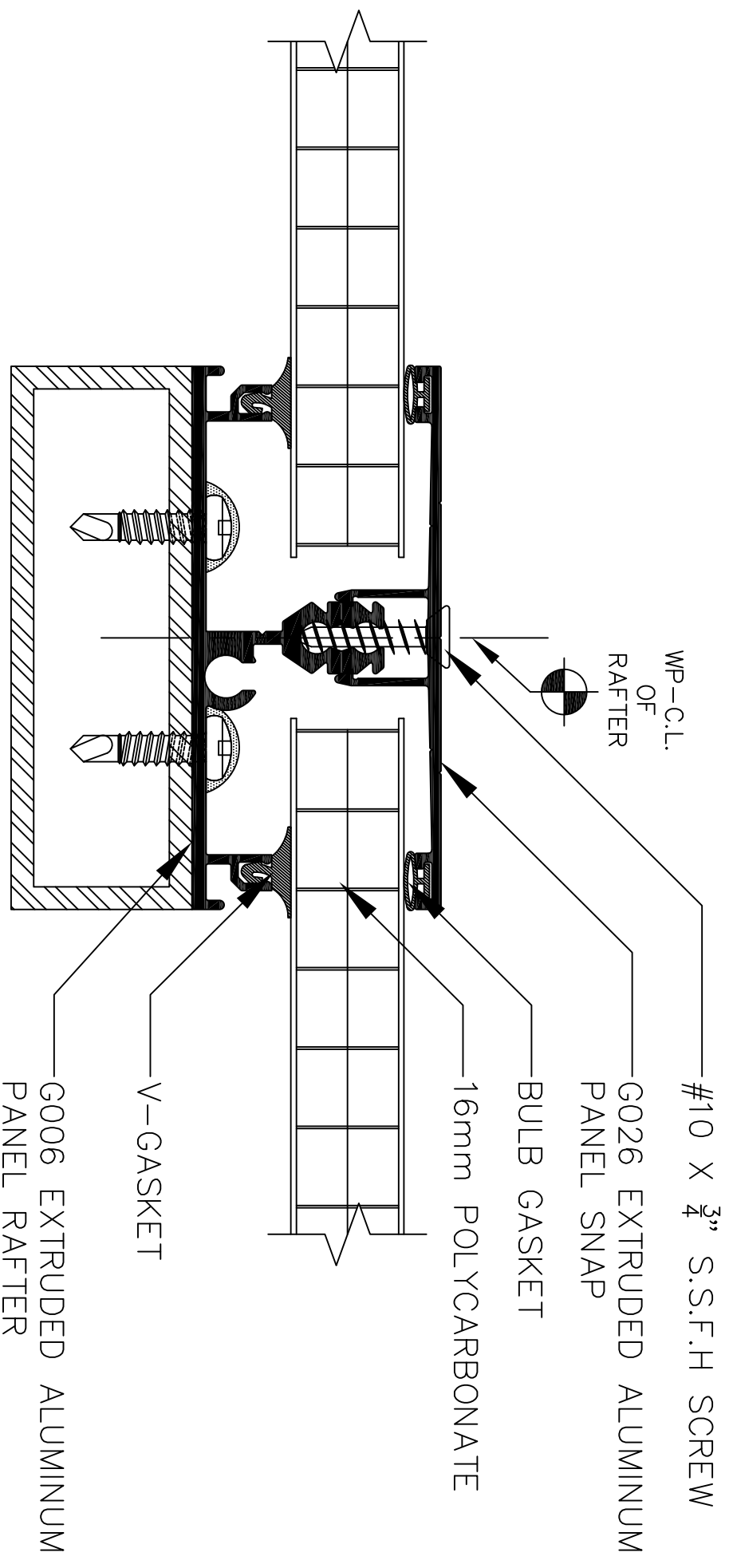
STRUCTURAL POLYCARBONATE LEAN-TO DETAIL



Energy-Glazed Systems, Inc.

350 Center St. Grayslake, IL 60030(P) 847-223-4500 (F)847-223-6444

STRUCTURAL POLYCARBONATE LEAN-TO DETAIL



#10 X $\frac{3}{4}$ " S.S.F.H SCREW

G026 EXTRUDED ALUMINUM
PANEL SNAP

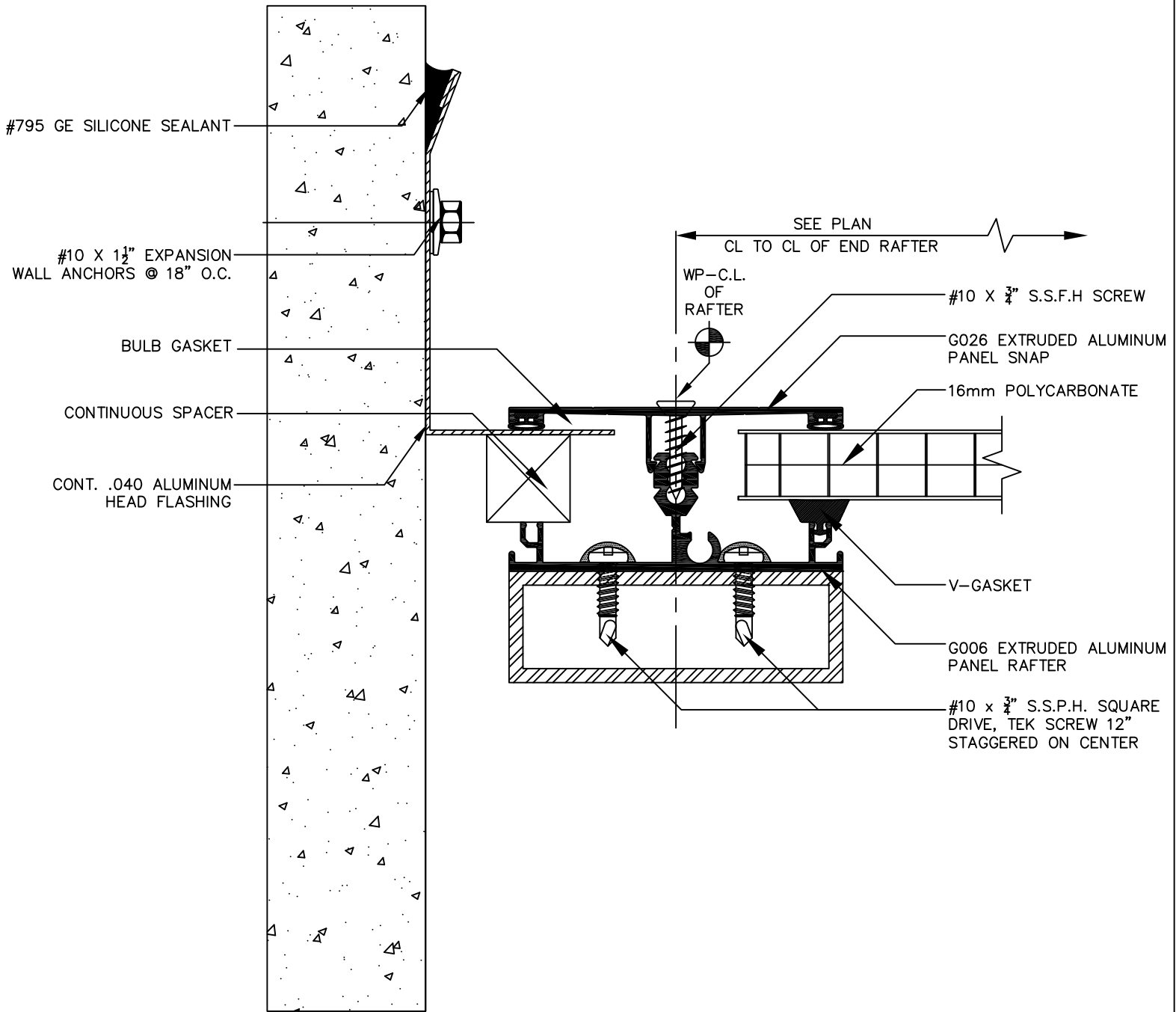
BULB GASKET

16mm POLYCARBONATE

V-GASKET

G006 EXTRUDED ALUMINUM
PANEL RAFTER

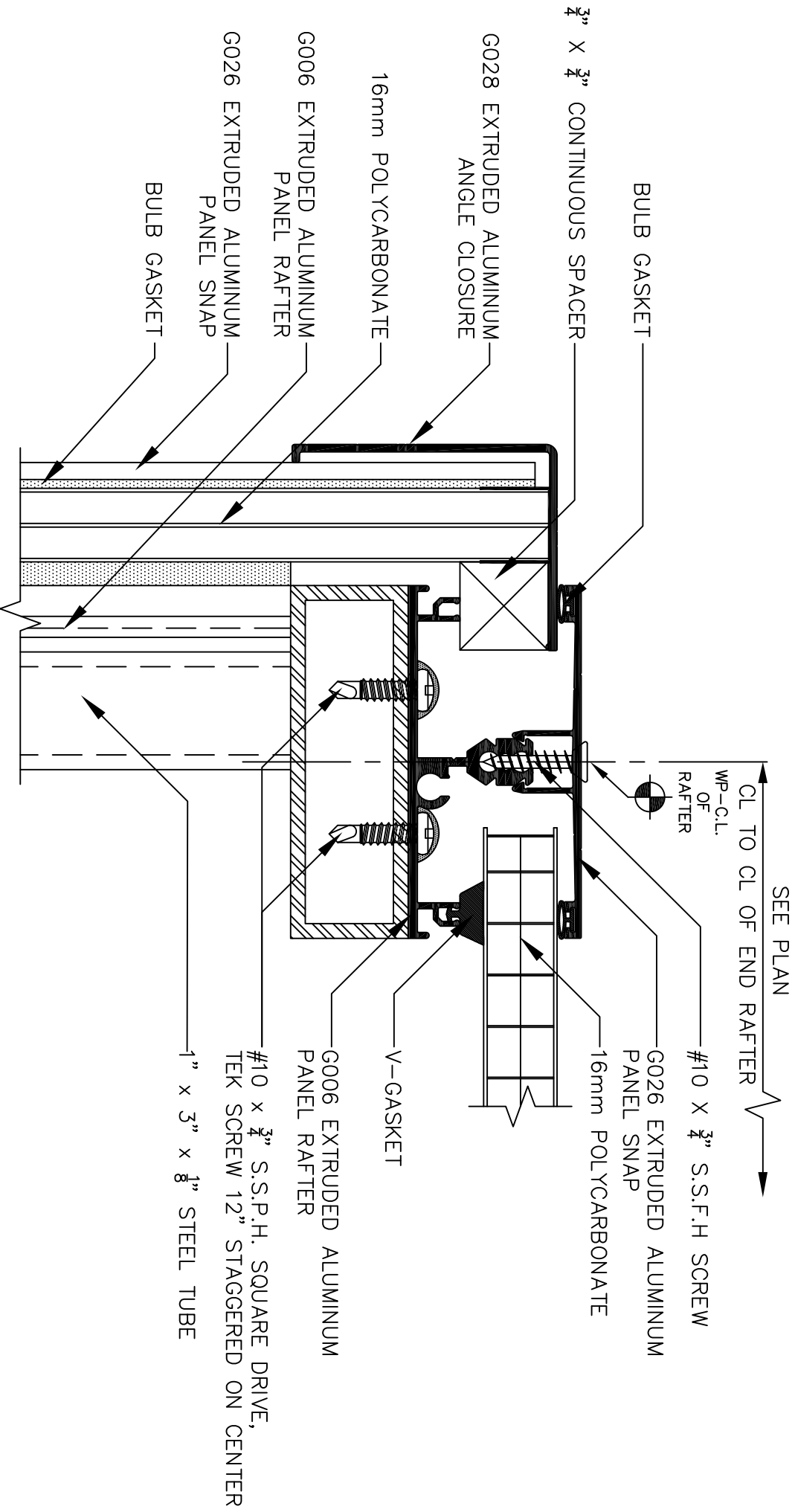
STRUCTURAL POLYCARBONATE LEAN-TO DETAIL



Energy-Glazed Systems, Inc.

350 Center St. Grayslake, IL 60030(P) 847-223-4500 (F)847-223-6444

STRUCTURAL POLYCARBONATE LEAN-TO DETAIL



STRUCTURAL POLYCARBONATE LEAN-TO DETAIL

G006 EXTRUDED ALUMINUM
PANEL RAFTER

G026 EXTRUDED ALUMINUM
PANEL SNAP

SILICONE SEALANT

BULB GASKET

16mm POLYCARBONATE

WELD

#14 x 2" S.S.H.H. HEX HEAD
WASHER DRIVE, TYPE A 18-8
STAINLESS STEEL w/ WEATHER
WASHER, 16" ON CENTER

CONTINUOUS THERMAL BREAK
NEOPRENE FLASHING TO CONTROL
THERMO MOISTURE TRANSFER.

2" x 4" WOOD CURB
(BY OTHERS)

SEE PLAN
OUT TO OUT OF CURB
SEE PLAN
DIMENSION



Energy-Glazed Systems, Inc.

350 Center St. Grayslake, IL 60030(P) 847-223-4500 (F)847-223-6444

STRUCTURAL POLYCARBONATE LEAN-TO DETAIL