

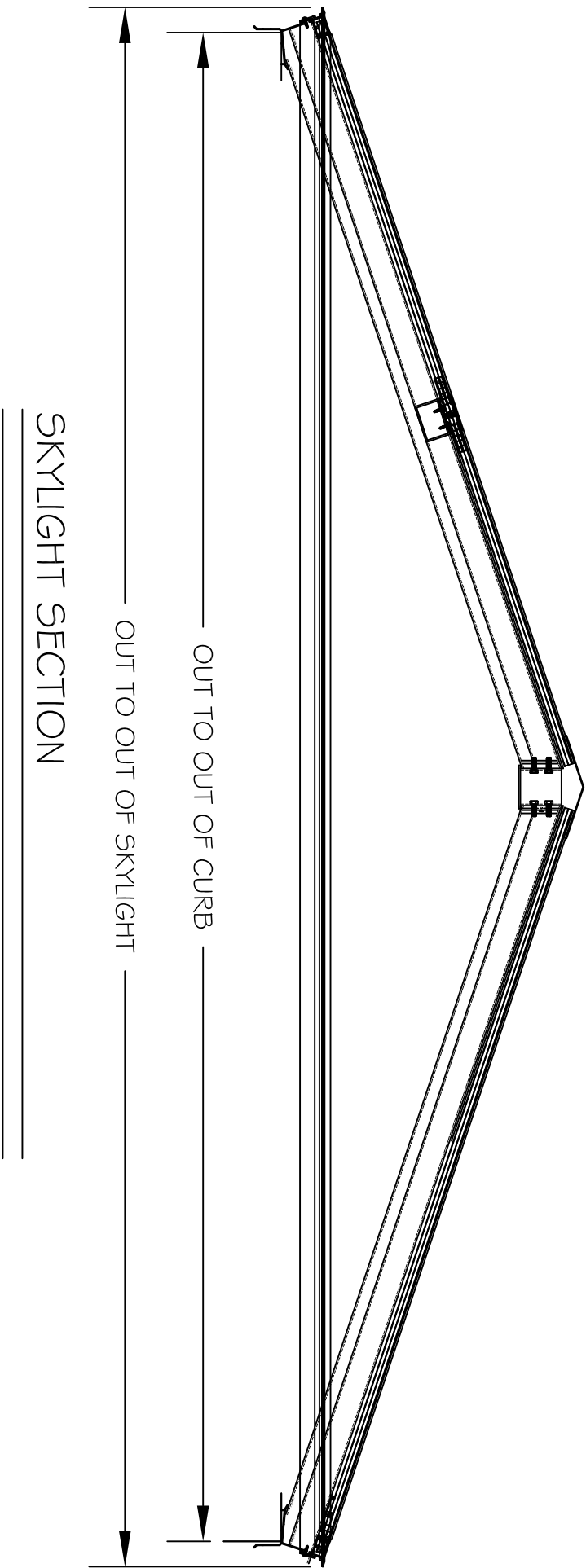
SKYLIGHT PLAN



**Energy-Glazed Systems, Inc.**

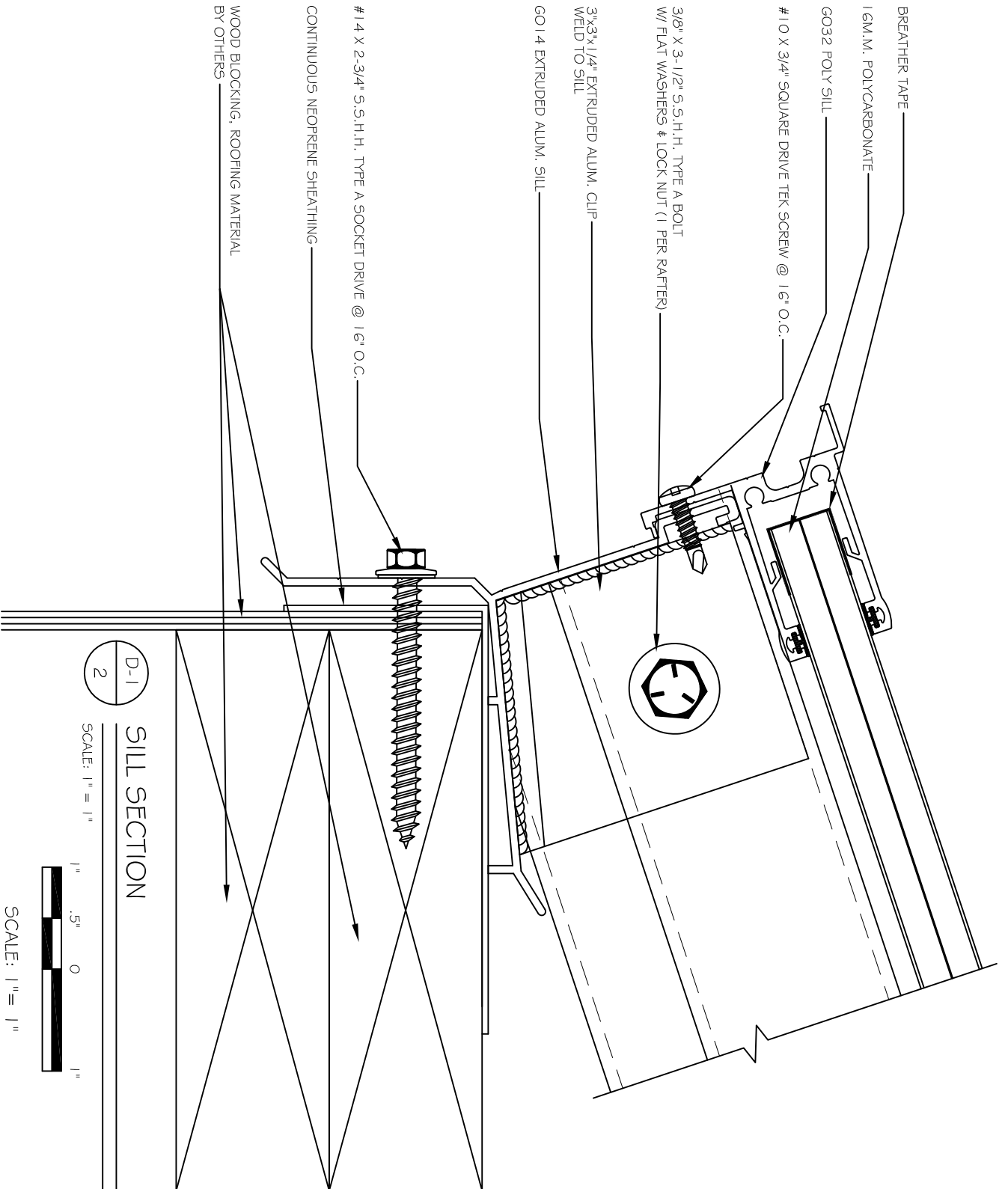
350 Center St. Grayslake, IL 60030 (P) 847-223-4500 (F) 847-223-6444

**STRUCTURAL POLYCARBONATE PYRAMID DETAIL**



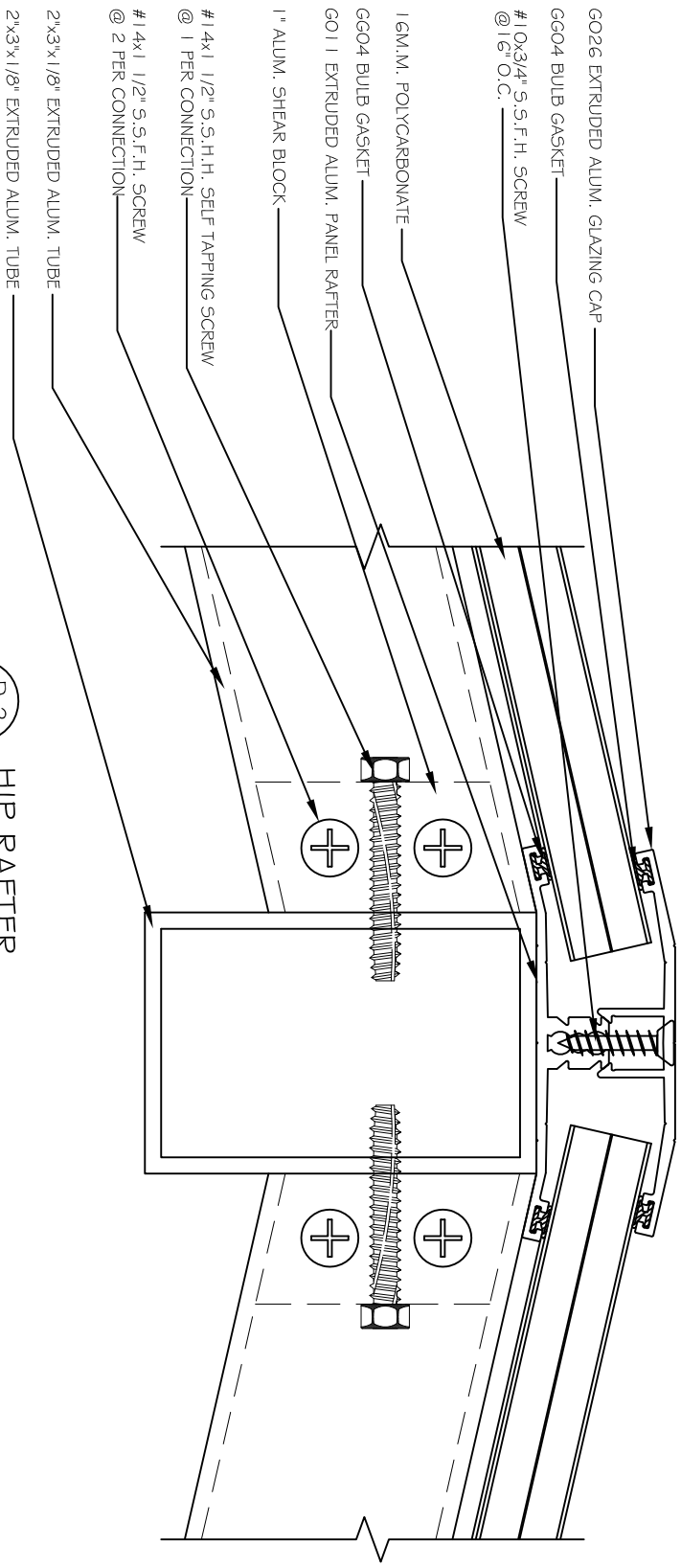
**Energy-Glazed Systems, Inc.**  
350 Center St. Grayshike, IL 60030(P) 847-223-4500 (F)847-223-6444

## **STRUCTURAL POLYCARBONATE PYRAMID DETAIL**



**Energy-Glazed Systems, Inc.**  
 250 Center St., Caryville, IL 60007-1347 213 4500 (734) 213 4444

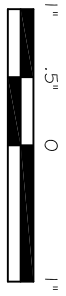
**STRUCTURAL POLYCARBONATE PYRAMID DETAIL**



D-2  
2

HIP RAFTER

SCALE: 1" = 1"

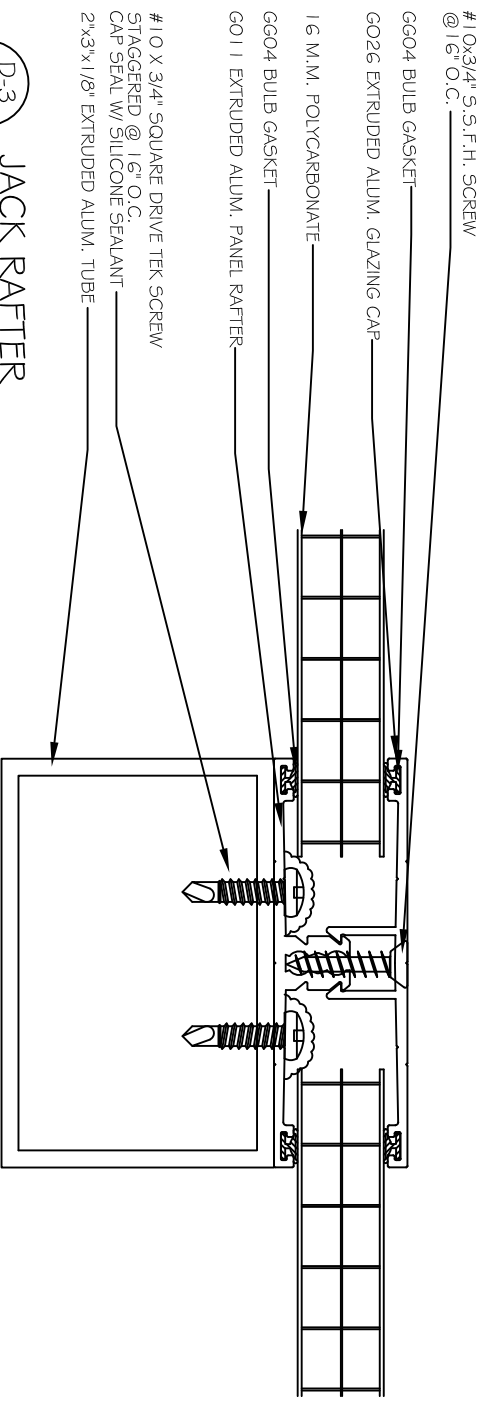


SCALE: 1" = 1"



**Energy-Glazed Systems, Inc.**  
250 Center St., Caryville, IL 60007-1947 213 4500 (734) 213 4444

**STRUCTURAL POLYCARBONATE PYRAMID DETAIL**



D-3  
2

SCALE: 1" = 1"

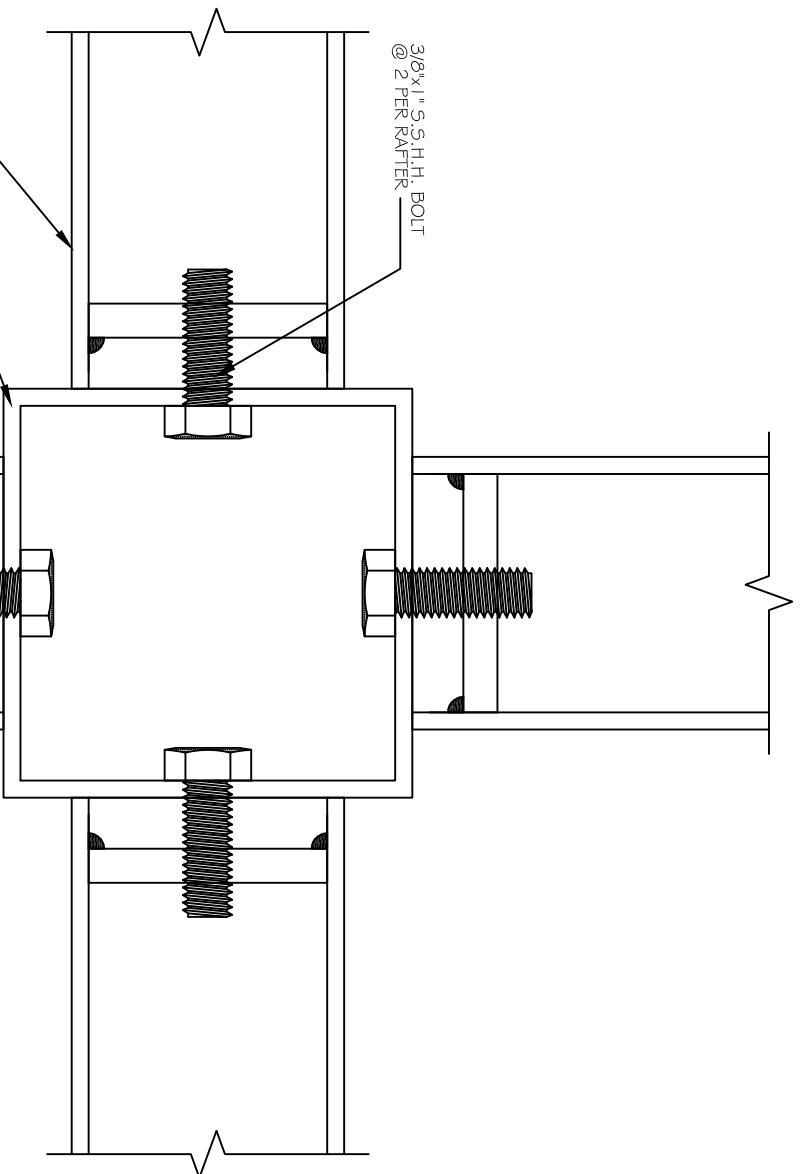


SCALE: 1" = 1"



**Energy-Glazed Systems, Inc.**  
250 Center St., Caryville, IL 60009 | 847.223.4500 | 847.223.4444

**STRUCTURAL POLYCARBONATE PYRAMID DETAIL**



3/8" 1" 5 H.H. BOLT  
@ 2 PER RAFTER

2" x 3" x 1/8" EXTRUDED ALUM. TUBE

3" x 3" x 1/8" THICK EXTRUDED ALUM. TUBE

1/2" ALUM. CORE WELDED  
TO INSIDE OF RAFTER  
ON ALL 4 SIDES

D-4  
2

COMPR. RING

SCALE: 1" = 1"



SCALE: 1" = 1"



**Energy-Glazed Systems, Inc.**  
250 Center St., Grayshale, IL 60906P 347 223 4500 F 347 223 4444

**STRUCTURAL POLYCARBONATE PYRAMID DETAIL**