

SKYLIGHT PLAN

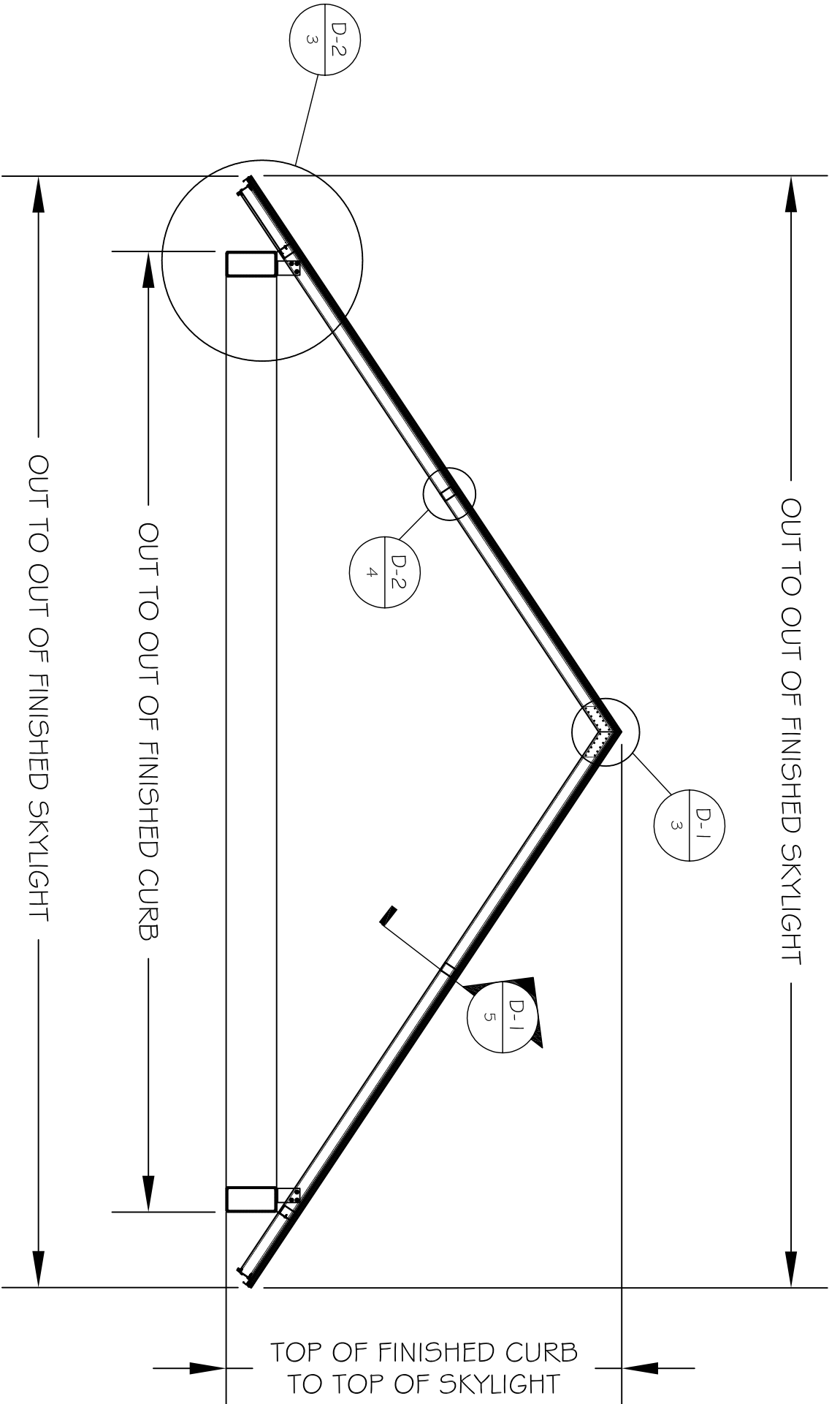
STRUCTURAL POLYCARBONATE HIP RIDGE DETAIL

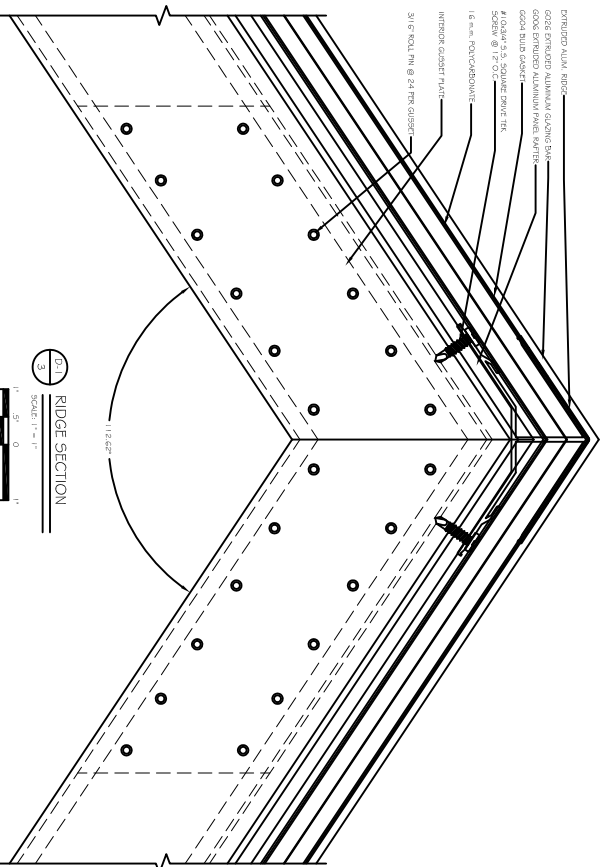


Energy-Glazed Systems, Inc.
350 Center St. Grayslake, IL 60030(P) 847-223-4500 (F) 847-223-6444

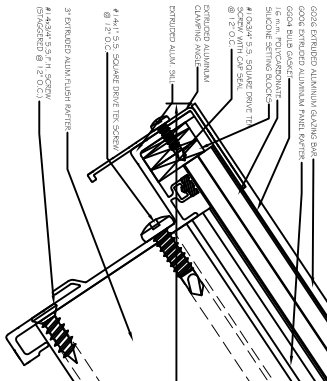
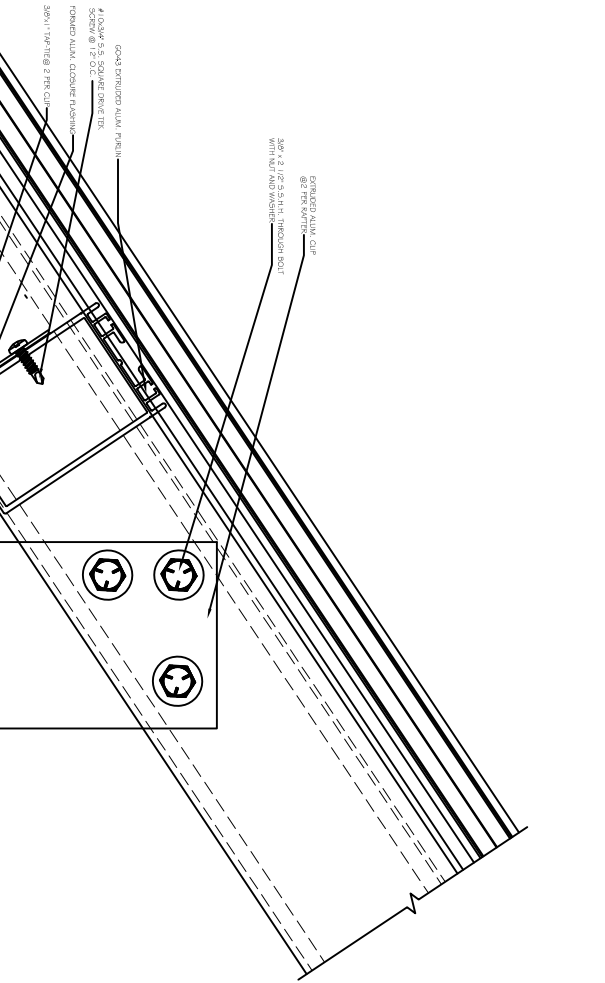
STRUCTURAL POLYCARBONATE HIP RIDGE DETAIL

SKYLIGHT SECTION

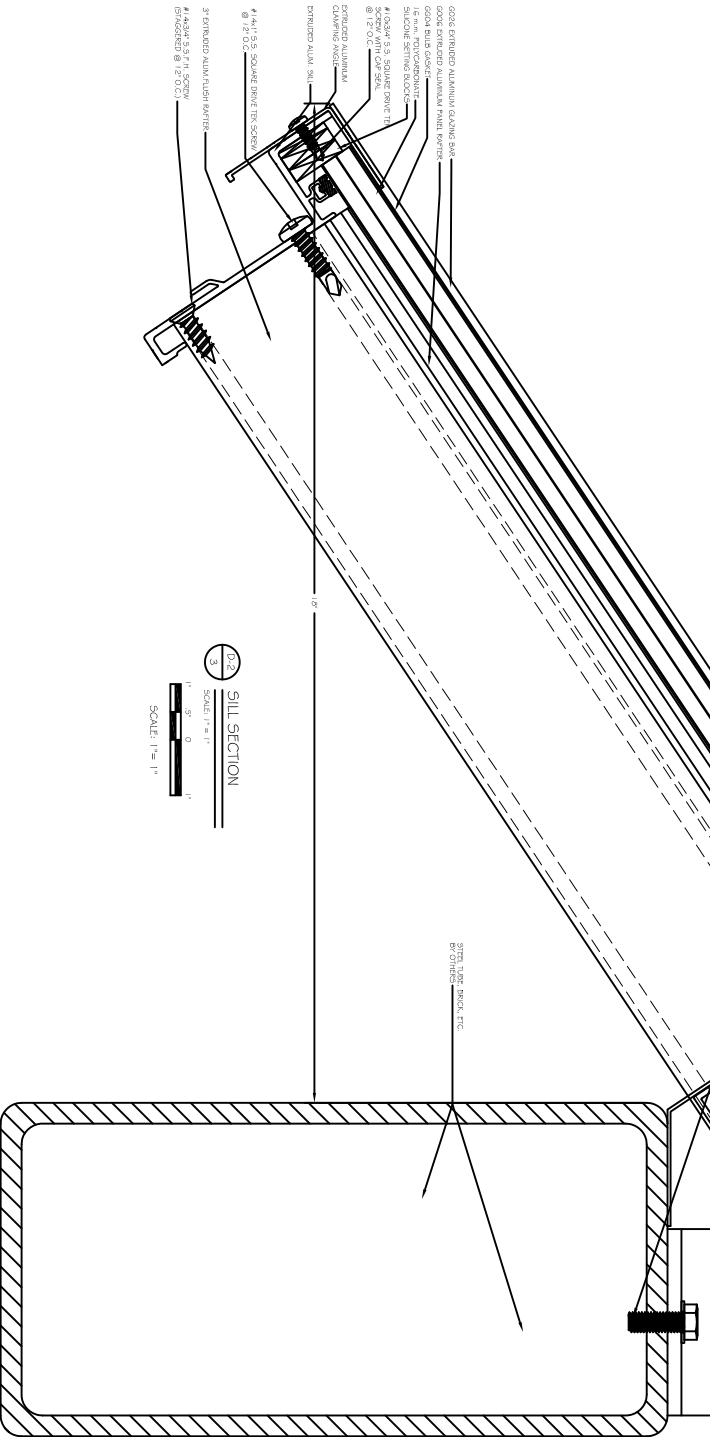




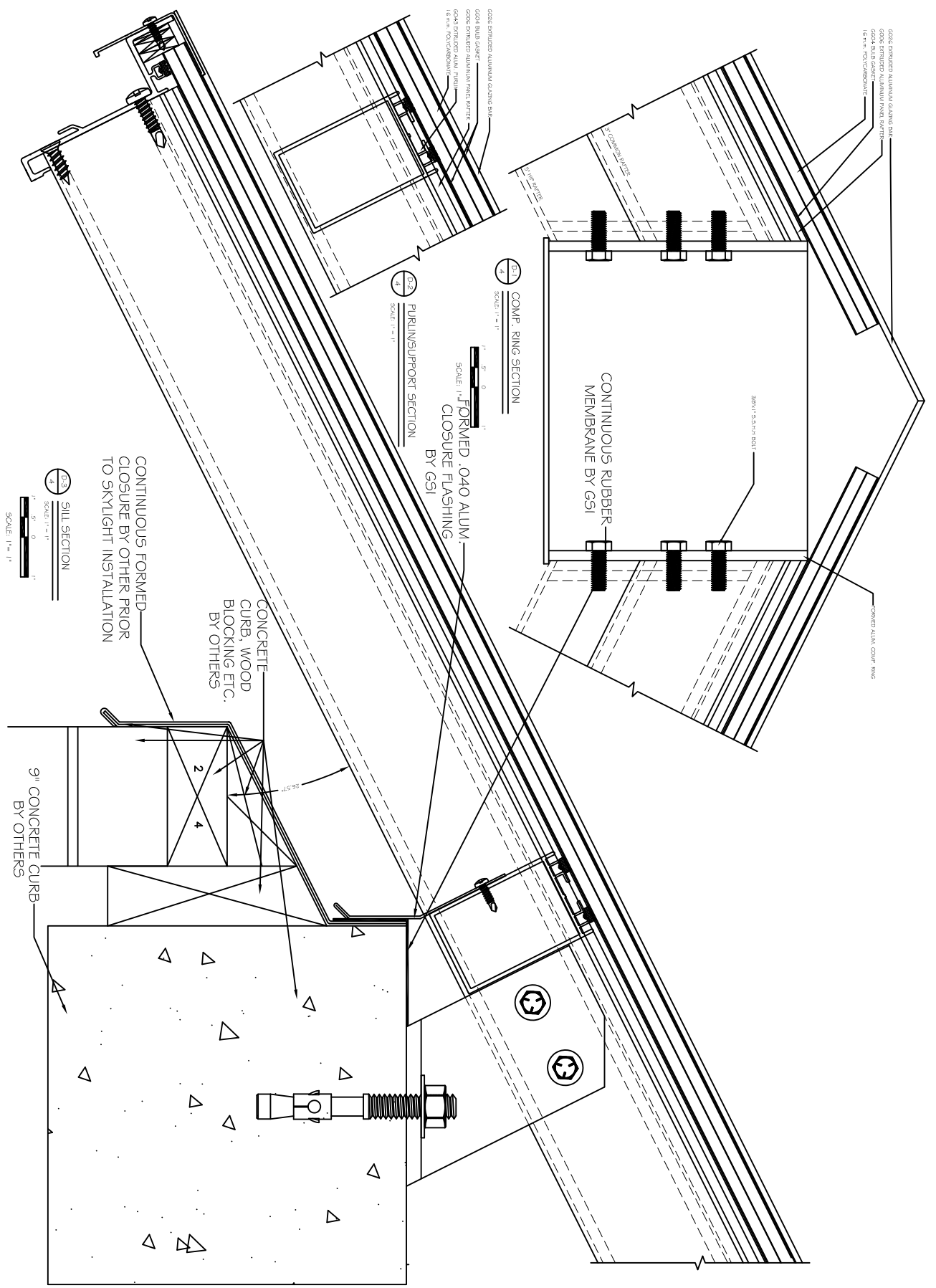
RIDGE SECTION
SCALE: 1" = 1'-0"



SILL SECTION
SCALE: 1" = 1'-0"



STRUCTURAL POLYCARBONATE HIP RIDGE DETAIL



G004 POLYESTER ALUMINUM FINISH EXTERIOR POLYCARBONATE
 G004 POLYESTER ALUMINUM FINISH EXTERIOR POLYCARBONATE
 G004 POLYESTER ALUMINUM FINISH EXTERIOR POLYCARBONATE

COMP. RING SECTION
 SCALE: 1" = 1'

PURLINSUPPORT SECTION
 SCALE: 1" = 1'

FORMED ALUM. COMP. RING
 SCALE: 1" = 1'

SILL SECTION
 SCALE: 1" = 1'

SCALE: 1" = 1'

CONTINUOUS FORMED CLOSURE BY OTHER PRIOR TO SKYLIGHT INSTALLATION

CONCRETE CURB, WOOD BLOCKING ETC. BY OTHERS

9" CONCRETE CURB BY OTHERS



Energy-Glazed Systems, Inc.
 350 Center St., Grayville, IL 60030(P) 847-233-4800 (F)847-233-4444

STRUCTURAL POLYCARBONATE HIP RIDGE DETAIL

