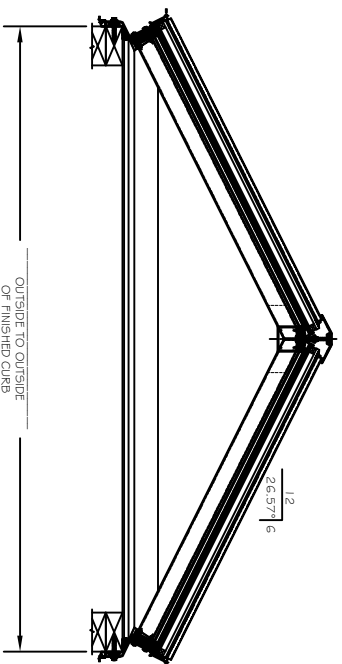


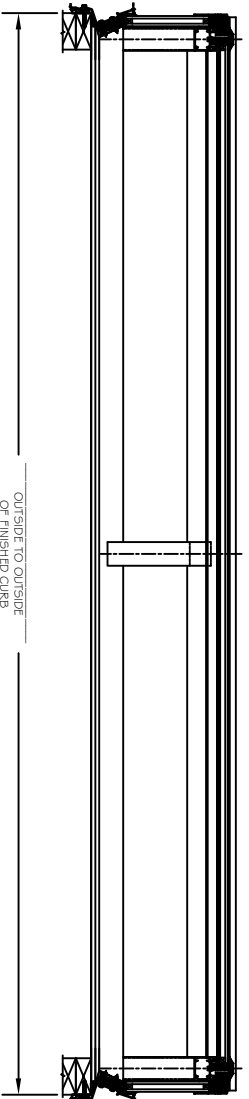
SKYLIGHT PLAN

SCALE: 1/2" = 1'-0"



SKYLIGHT SECTION B-B

SCALE: 1/2" = 1'-0"



SKYLIGHT SECTION A-A

SCALE: 1/2" = 1'-0"



**Energy-Glazed Systems, Inc.**  
 350 Center St. Grayville, IL 60030(P) 847-223-4500 (F)847-223-6444

**Gable Ridge System**

12

26.57

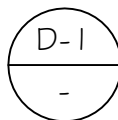
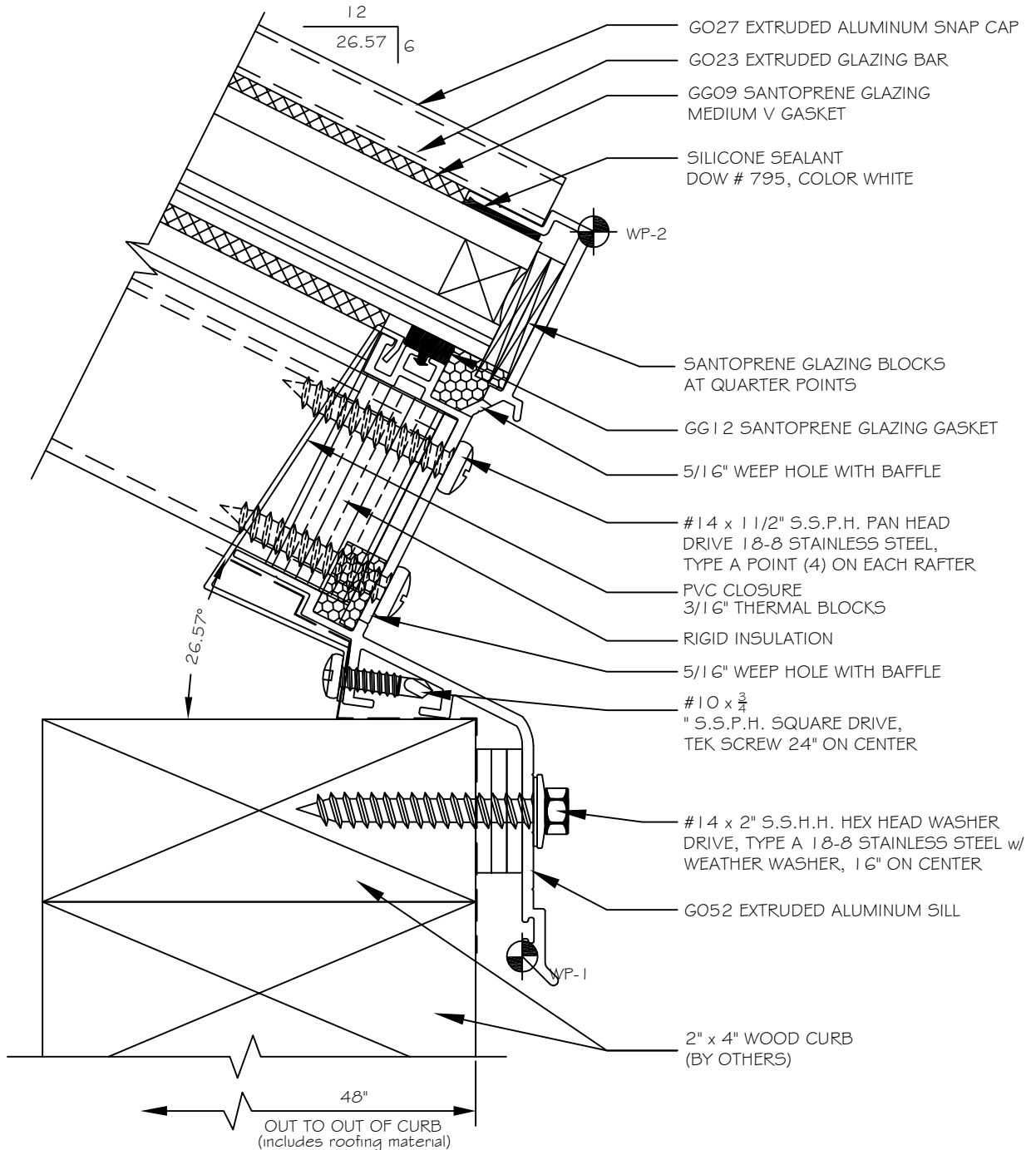
6



**Energy-Glazed Systems, Inc.**

350 Center St. Grayslake, IL 60030(P) 847-223-4500 (F)847-223-6444

# GABLE RIDGE SYSTEM



## SILL SECTION

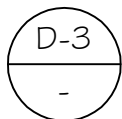
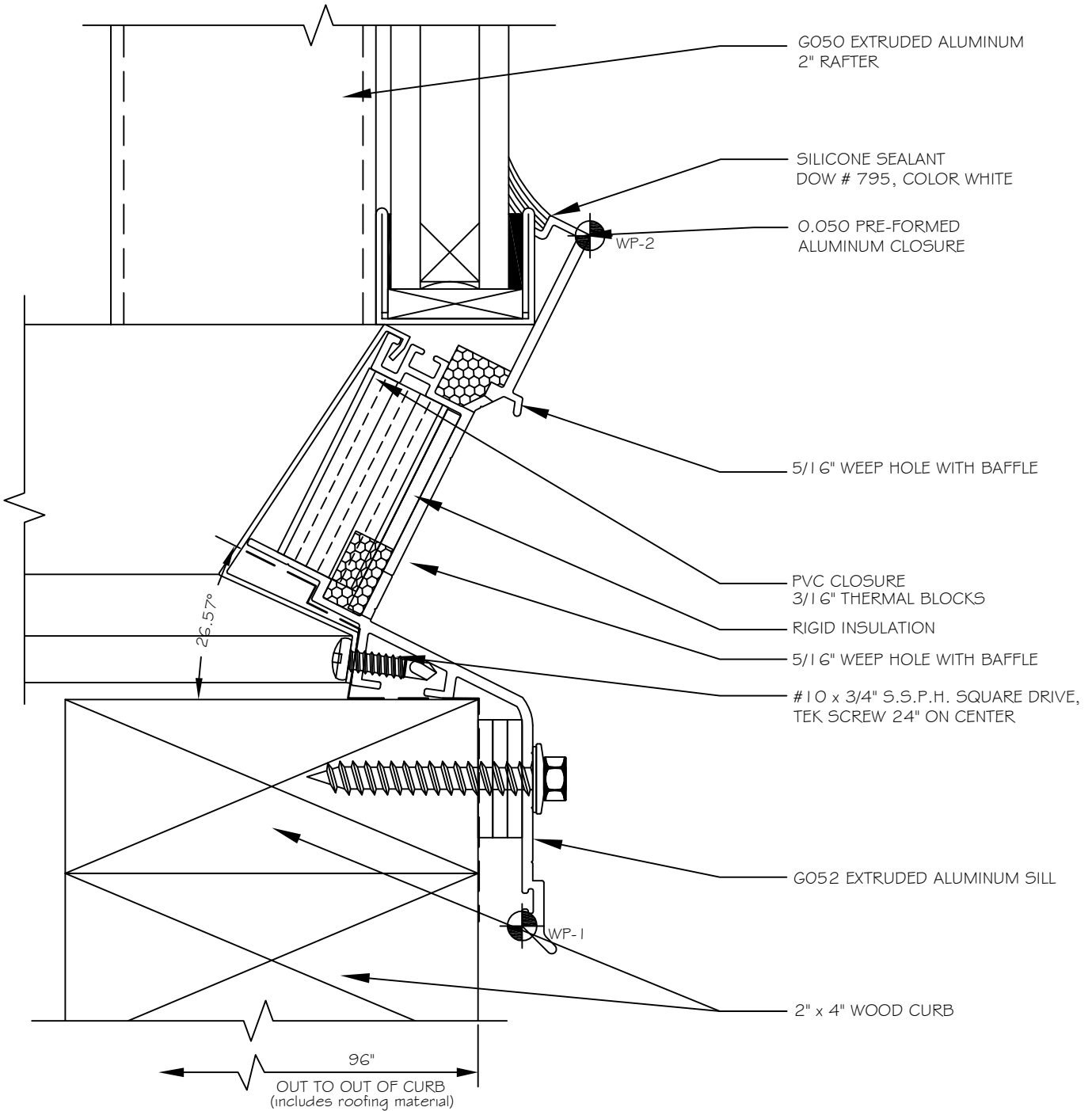
SCALE: 1" = 1"



**Energy-Glazed Systems, Inc.**

350 Center St. Grayslake, IL 60030(P) 847-223-4500 (F)847-223-6444

# GABLE RIDGE SYSTEM



## GABLE END SILL SECTION

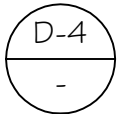
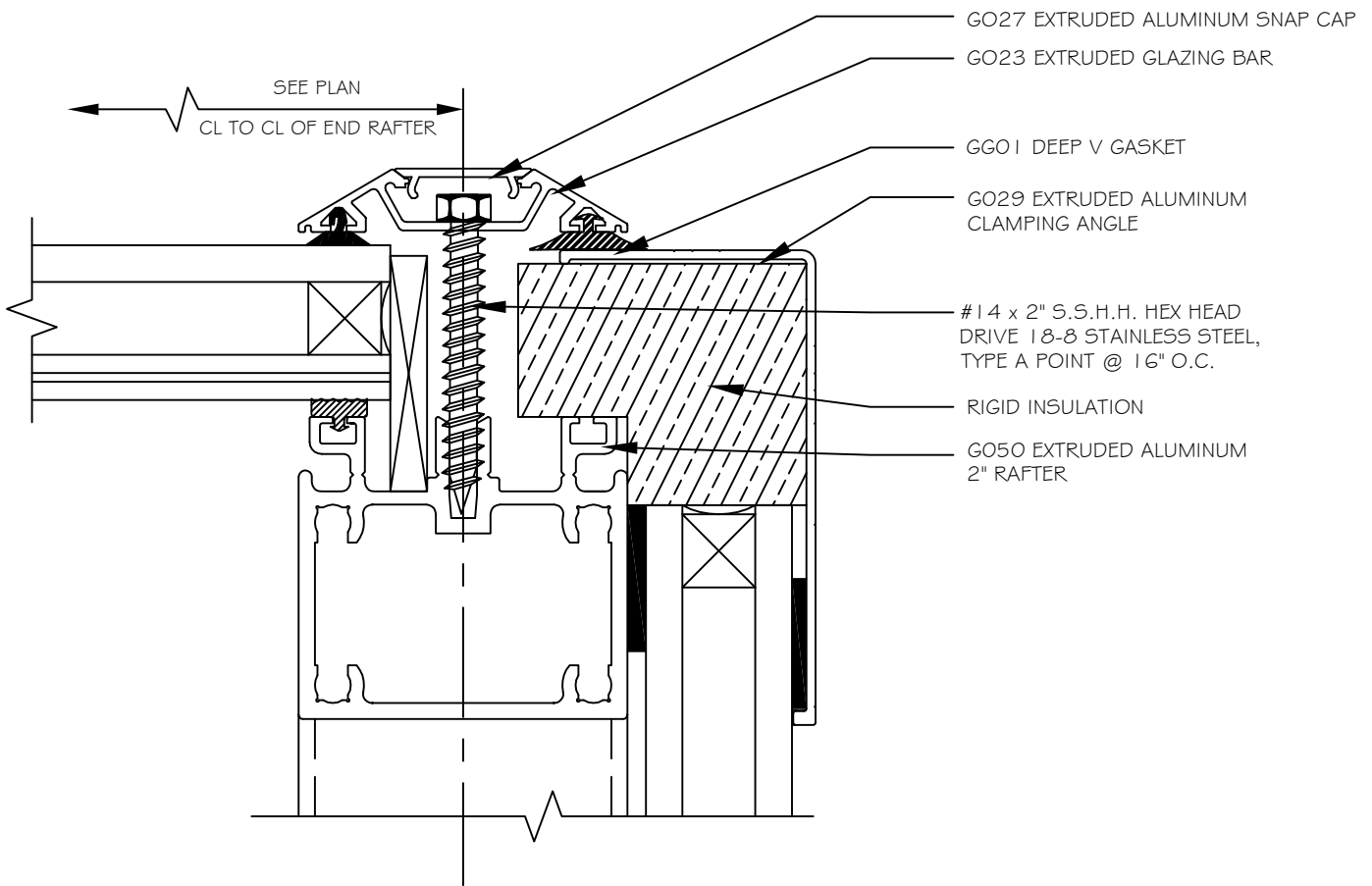
SCALE: 1" = 1"



**Energy-Glazed Systems, Inc.**

350 Center St. Grayslake, IL 60030(P) 847-223-4500 (F)847-223-6444

# GABLE RIDGE SYSTEM



## GABLE END RAFTER SECTION

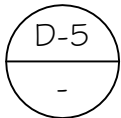
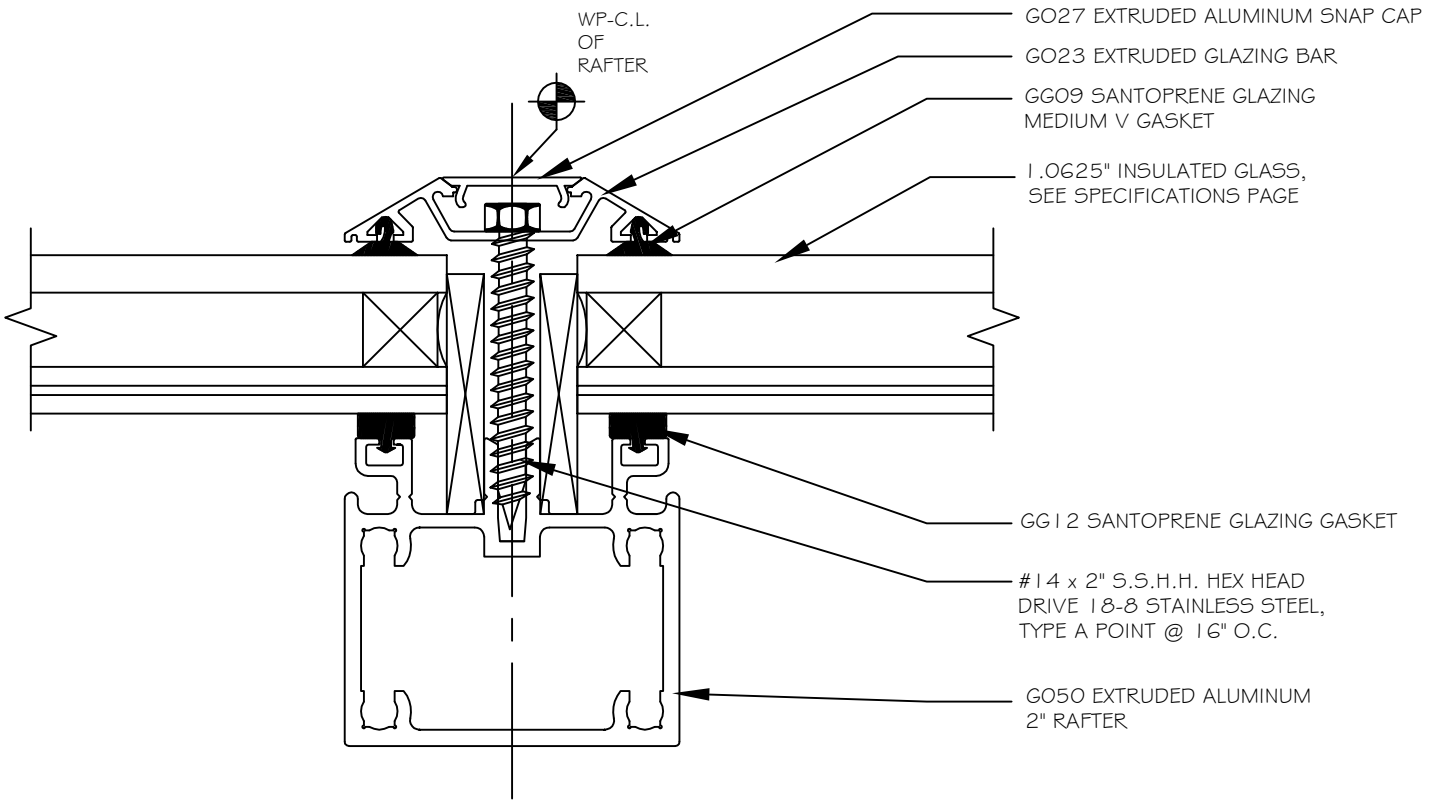
SCALE: 1" = 1"



**Energy-Glazed Systems, Inc.**

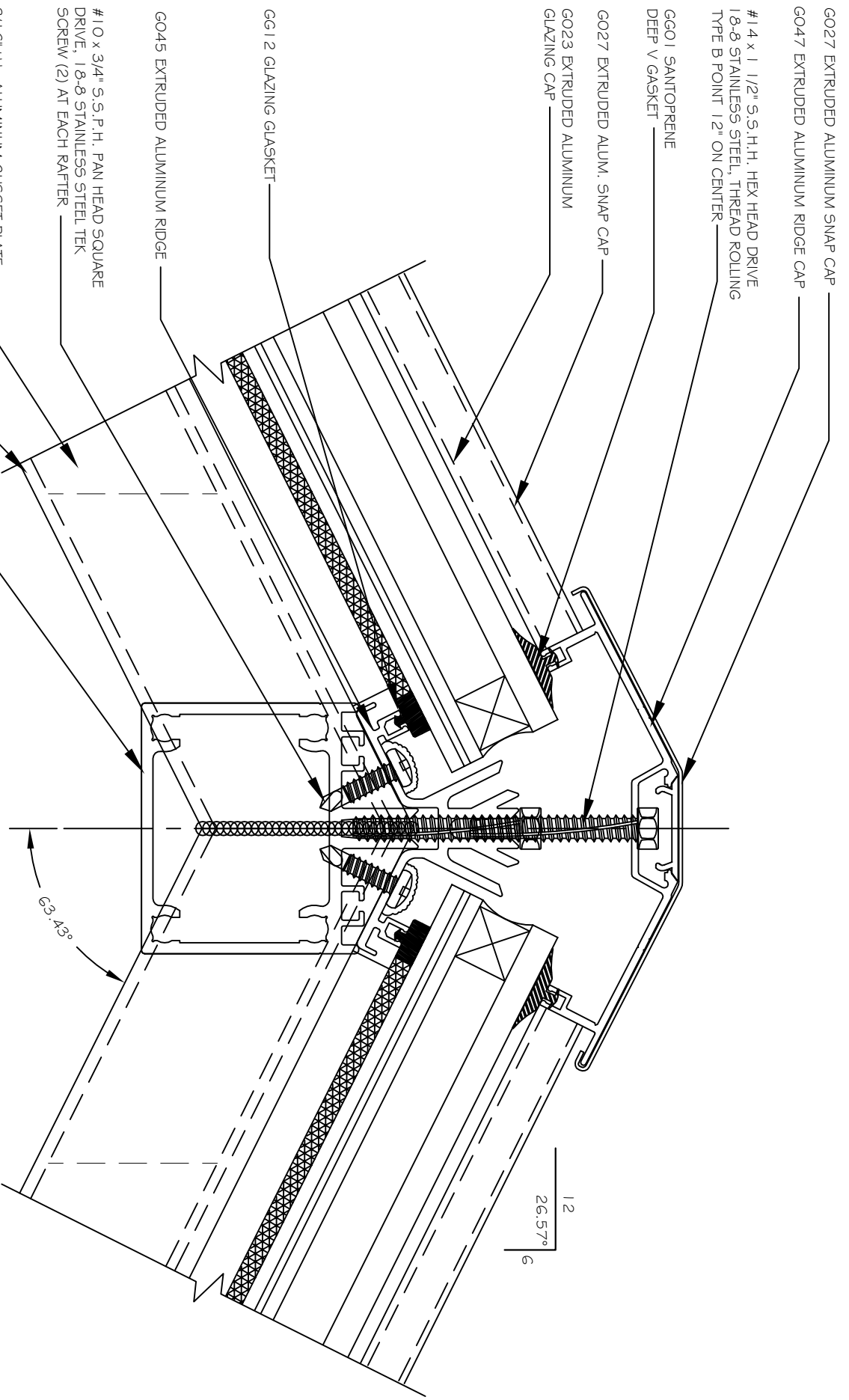
350 Center St. Grayslake, IL 60030(P) 847-223-4500 (F)847-223-6444

# GABLE RIDGE SYSTEM



## RAFTER SECTION

SCALE: 1" = 1"



D-2  
-

RIDGE RAFTER SECTION

SCALE: 3/4" = 1"



**Energy-Glazed Systems, Inc.**

350 Centre St., Garyville, IL 60030(P) 847-223-4500 (F)847-223-6444

**GABLE RIDGE SYSTEM**