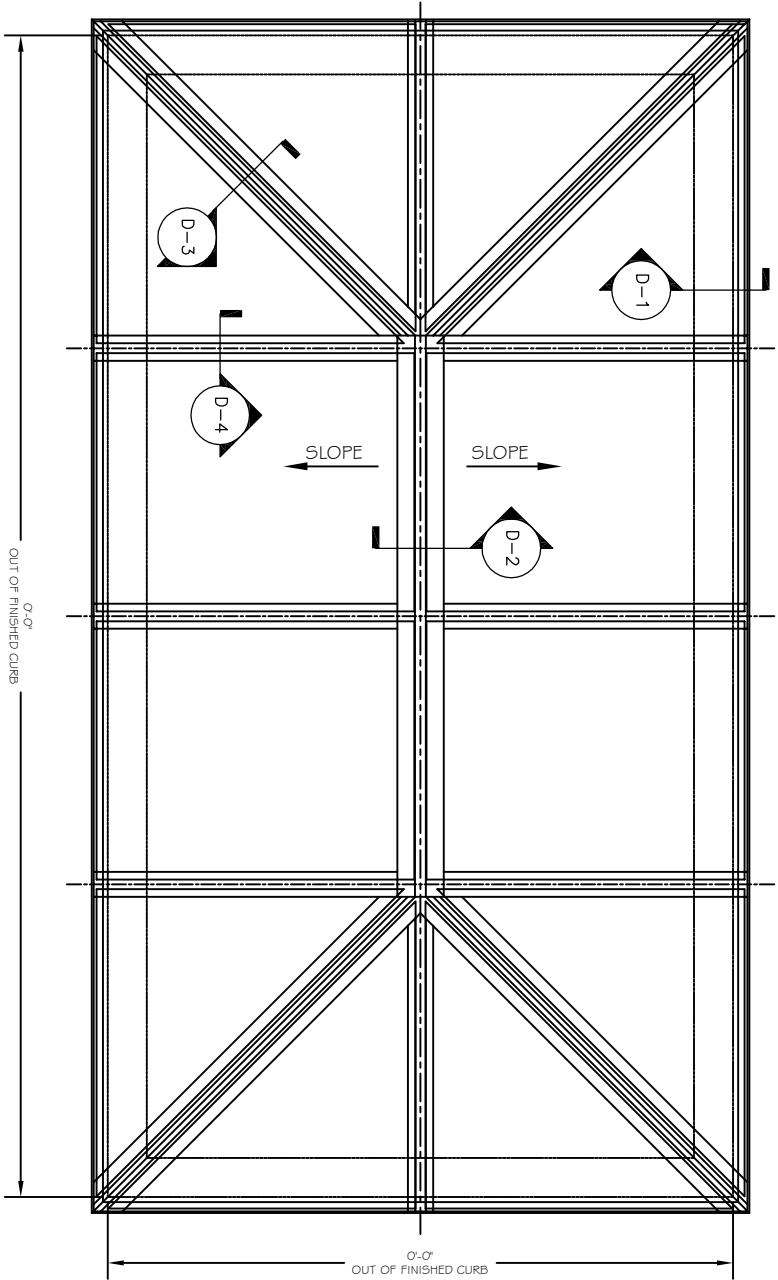




**Energy-Glazed Systems, Inc.**  
350 Center St. Grayshale, IL 60030(P) 847-223-4500 (F)847-223-6444

# Hip Ridge Skylight



SKYLIGHT PLAN

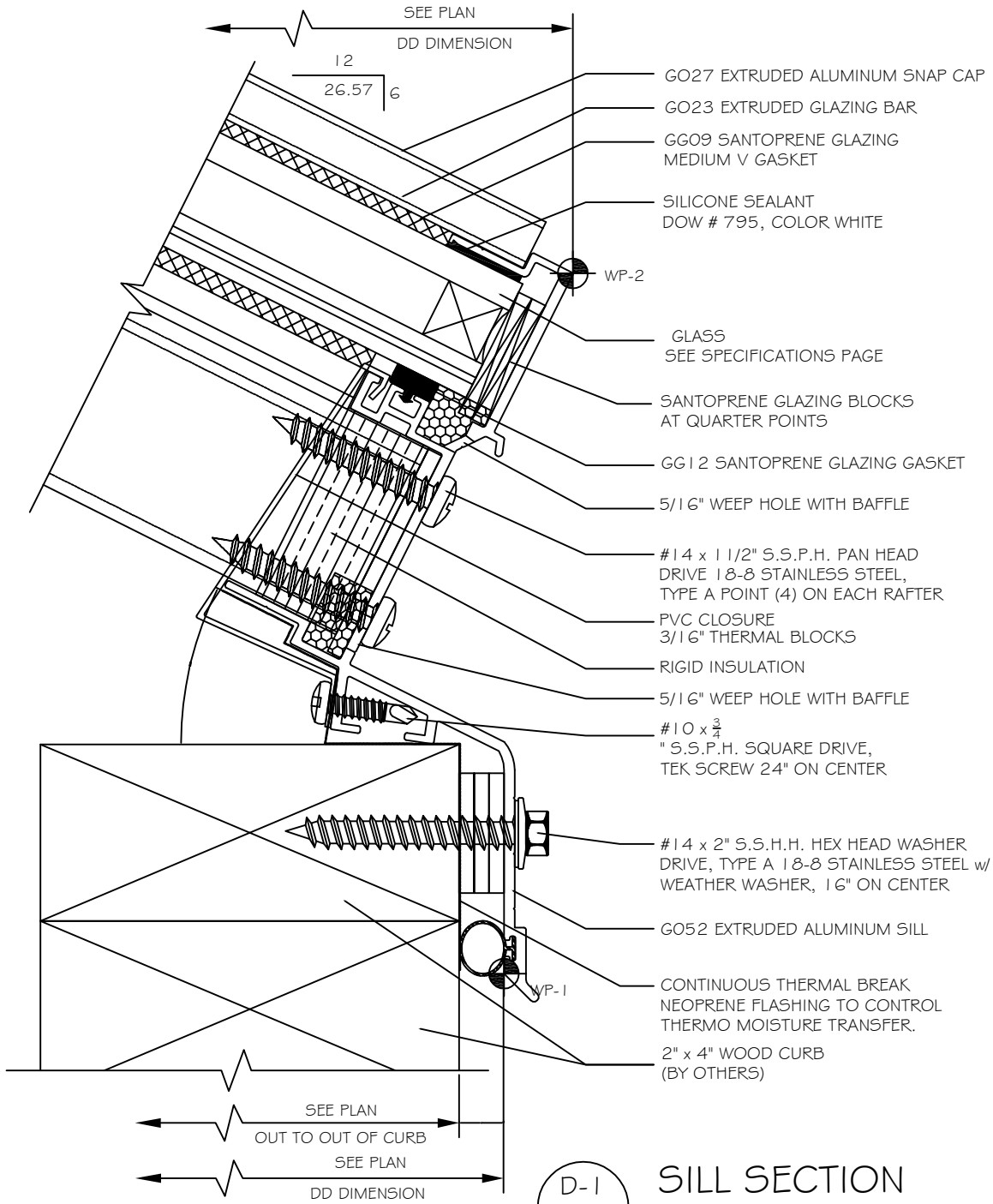
SCALE: 1/2" = 1'-0"



**Energy-Glazed Systems, Inc.**

350 Center St. Grayslake, IL 60030(P) 847-223-4500 (F)847-223-6444

# HIP RIDGE SYSTEM



D-1  
-

## SILL SECTION

SCALE: 1" = 1"



**Energy-Glazed Systems, Inc.**

350 Center St. Grayslake, IL 60030(P) 847-223-4500 (F)847-223-6444

# HIP RIDGE SYSTEM

GO47 EXTRUDED ALUMINUM RIDGE CAP

#14 x 1 1/2" S.S.H.H. HEX HEAD DRIVE  
18-8 STAINLESS STEEL, THREAD ROLLING  
TYPE B POINT 12" ON CENTER

GGO1 SANTOPRENE  
DEEP V GASKET

GO27 EXTRUDED ALUM. SNAP CAP

GO23 EXTRUDED ALUMINUM  
GLAZING CAP

GLASS,  
SEE SPECIFICATIONS PAGE

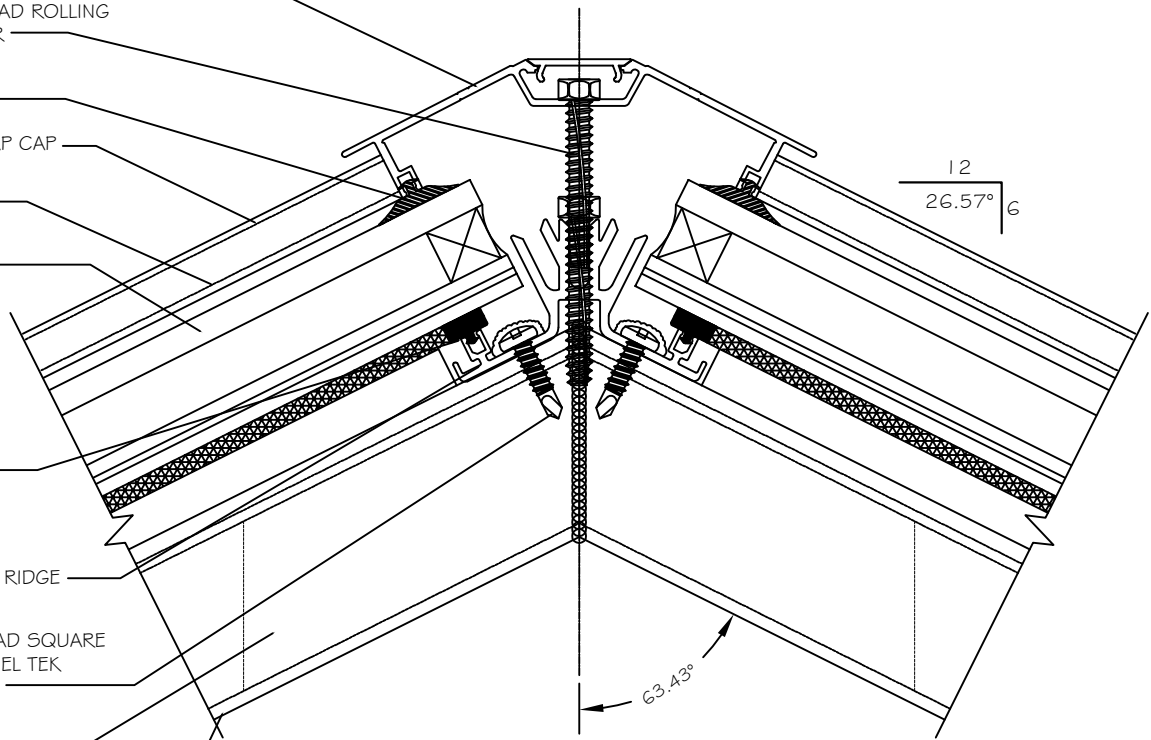
GG12 GLAZING GLASKET

GO45 EXTRUDED ALUMINUM RIDGE

#10 x 3/4" S.S.P.H. PAN HEAD SQUARE  
DRIVE, 18-8 STAINLESS STEEL TEK  
SCREW (2) AT EACH RAFTER

ALUMINUM GUSSET PLATE

GO50 EXTRUDED ALUMINUM 2" RAFTER



RIDGE RAFTER SECTION

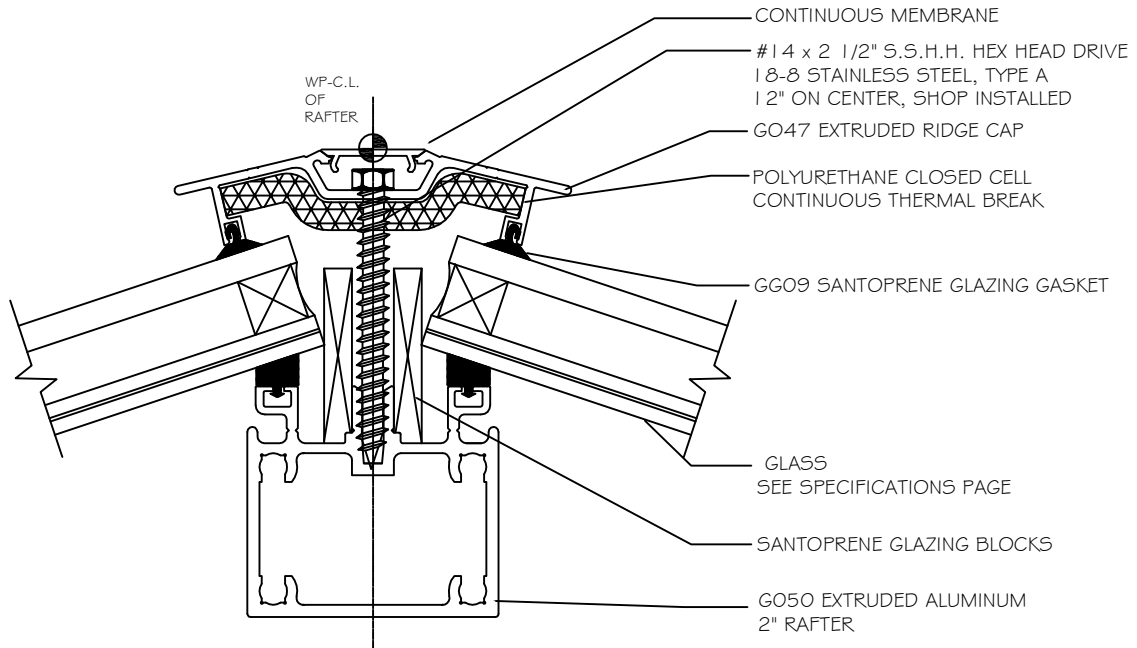
SCALE: 3/4" = 1"



**Energy-Glazed Systems, Inc.**

350 Center St. Grayslake, IL 60030(P) 847-223-4500 (F)847-223-6444

# HIP RIDGE SYSTEM



## HIP RAFTER SECTION

SCALE: 1" = 1"



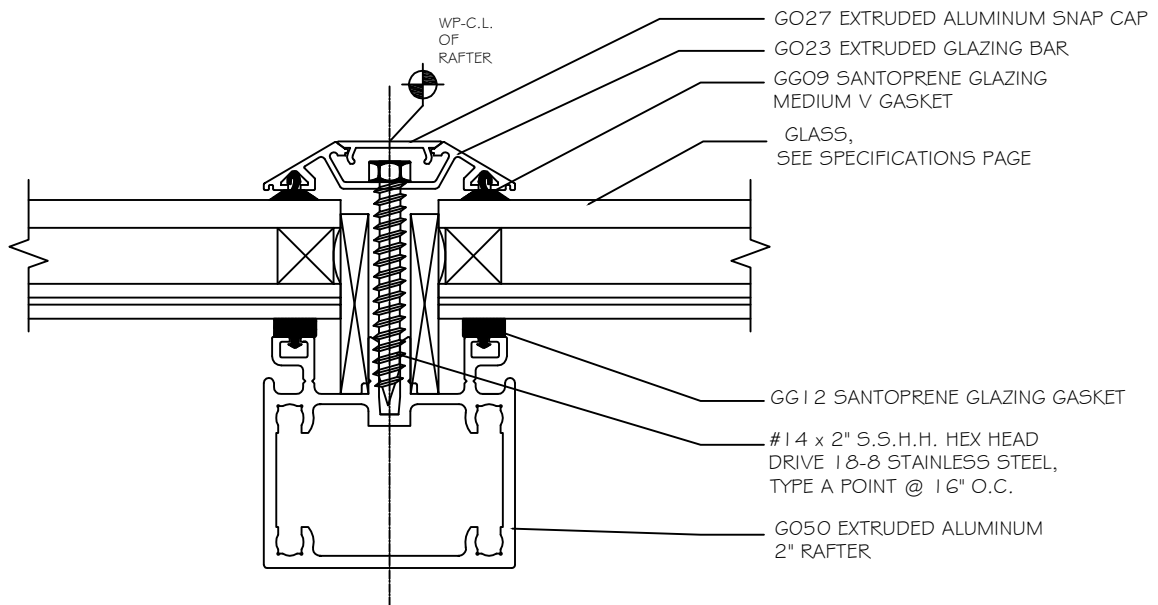
SCALE: 1" = 1"



**Energy-Glazed Systems, Inc.**

350 Center St. Grayslake, IL 60030(P) 847-223-4500 (F)847-223-6444

# HIP RIDGE SYSTEM



RAFTER SECTION

SCALE: 1" = 1"