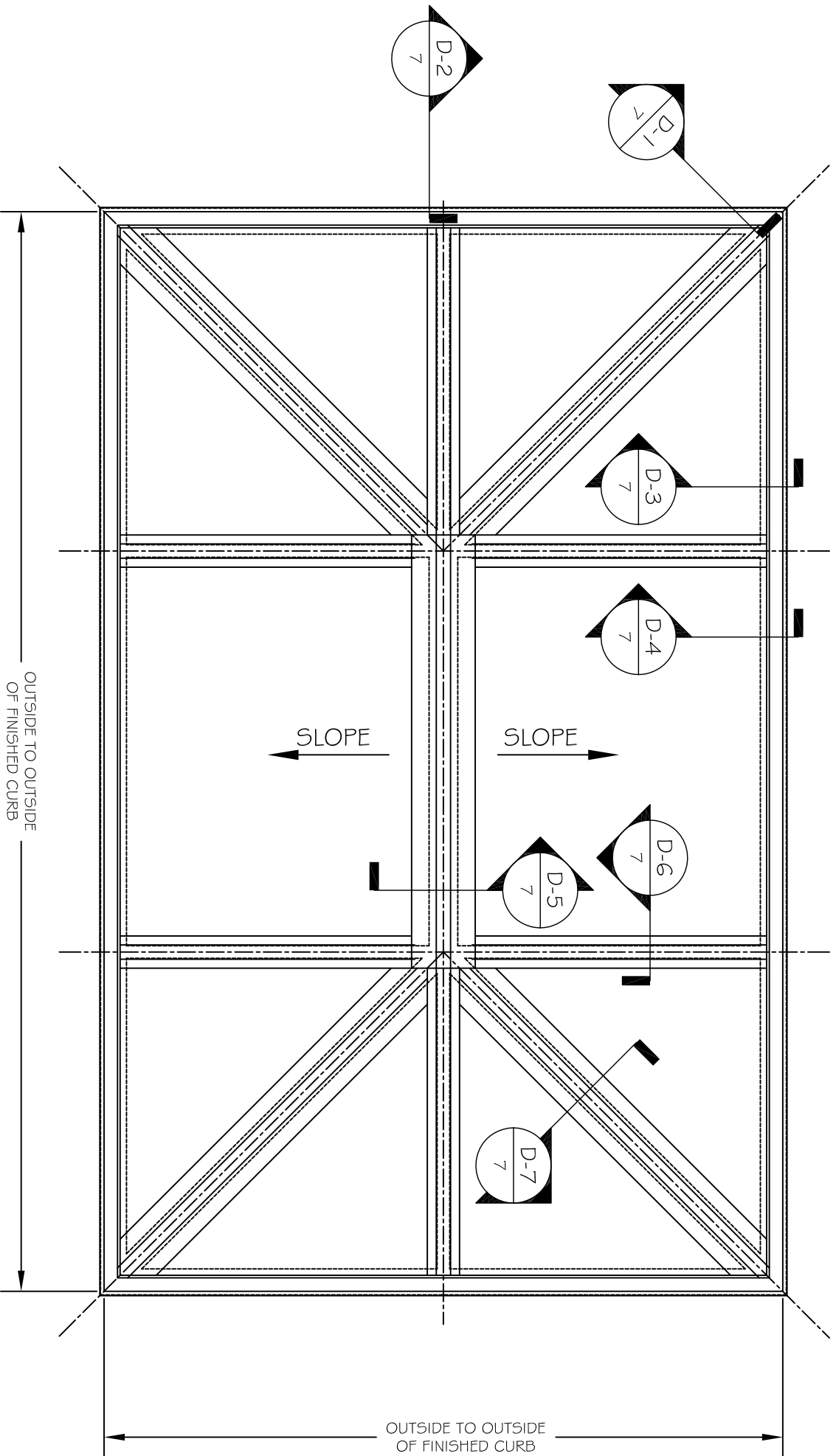




Energy-Glazed Systems, Inc.
350 Center St. Grayslake, IL 60030(P) 847-223-4500 (F)847-223-6444

CUSTOM SKYLIGHT



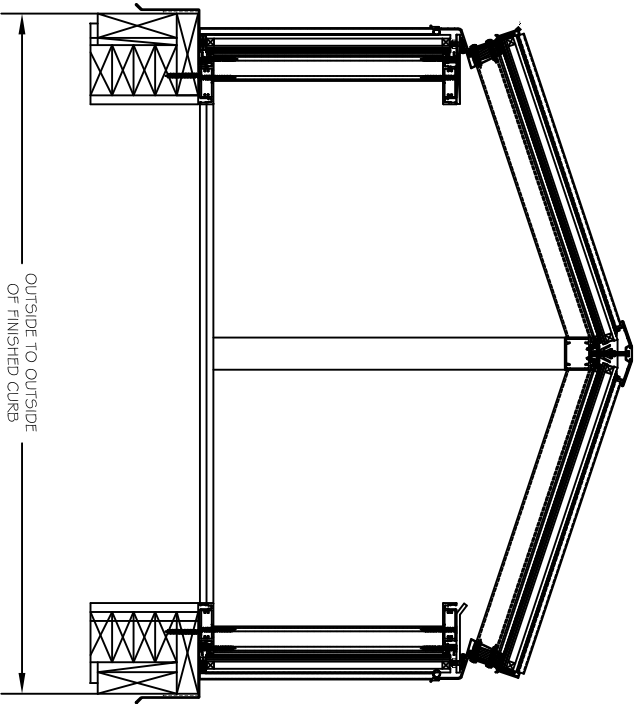
SKYLIGHT PLAN

SCALE: 1 1/2" = 1'-0"



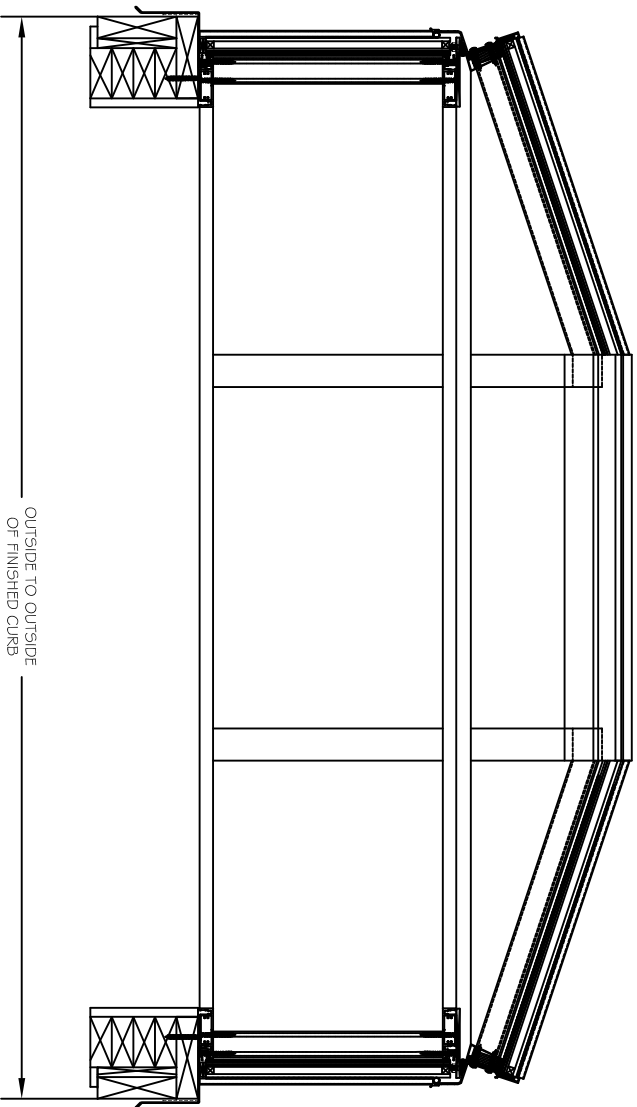
Energy-Glazed Systems, Inc.
591 Center St. Gearyville, IL 60930/781-223-4500 (F)847-233-4444

CUSTOM SKYLIGHT



SHORT SIDES SECTION

SCALE: 1/2" = 1'-0"



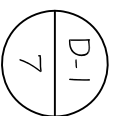
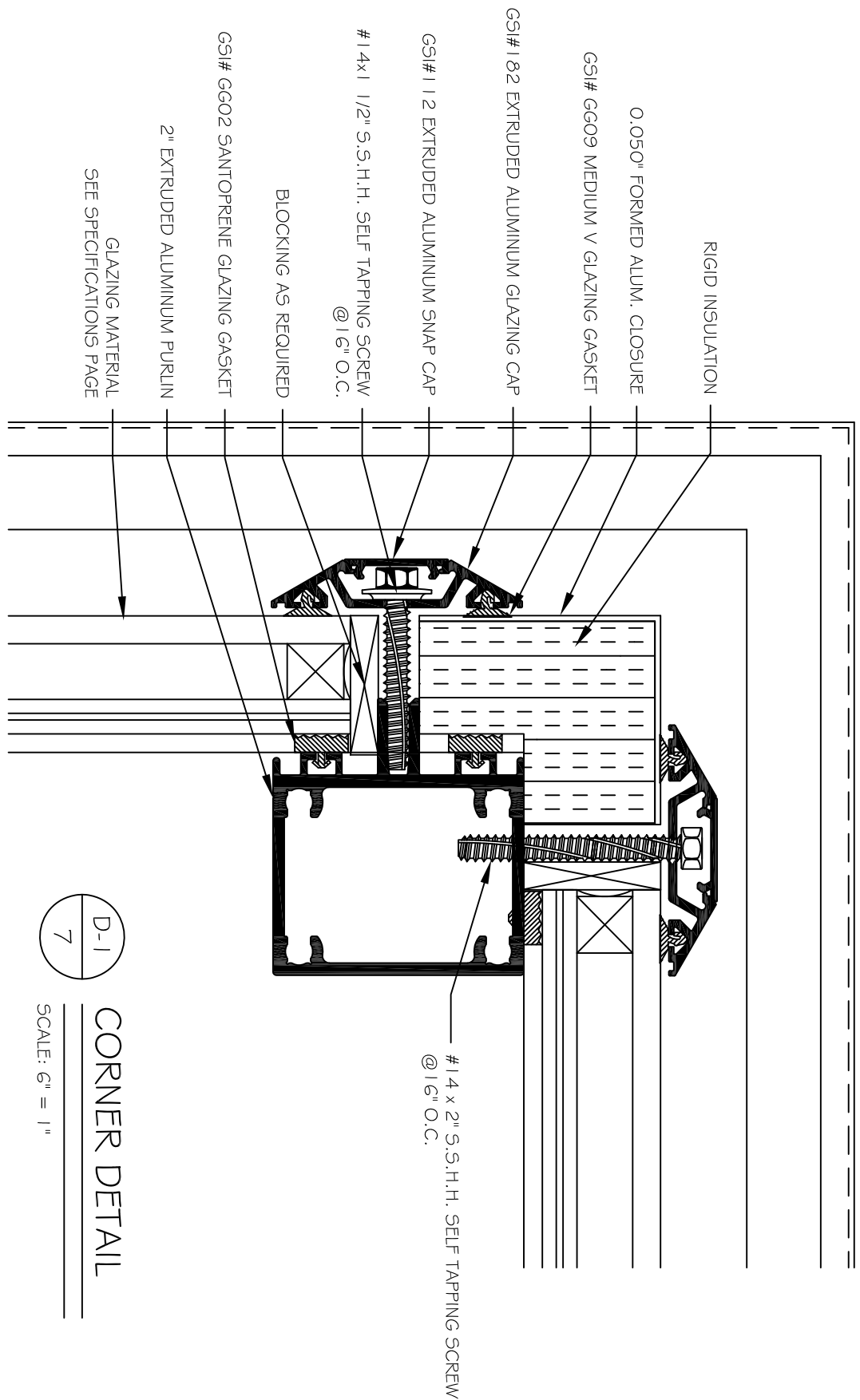
LONG SIDES SECTION

SCALE: 1/2" = 1'-0"



Energy-Glazed Systems, Inc.
 350 Center St. Grayslake, IL 60030 (P) 847-223-4500 (F) 847-223-6444

CUSTOM SKYLIGHT



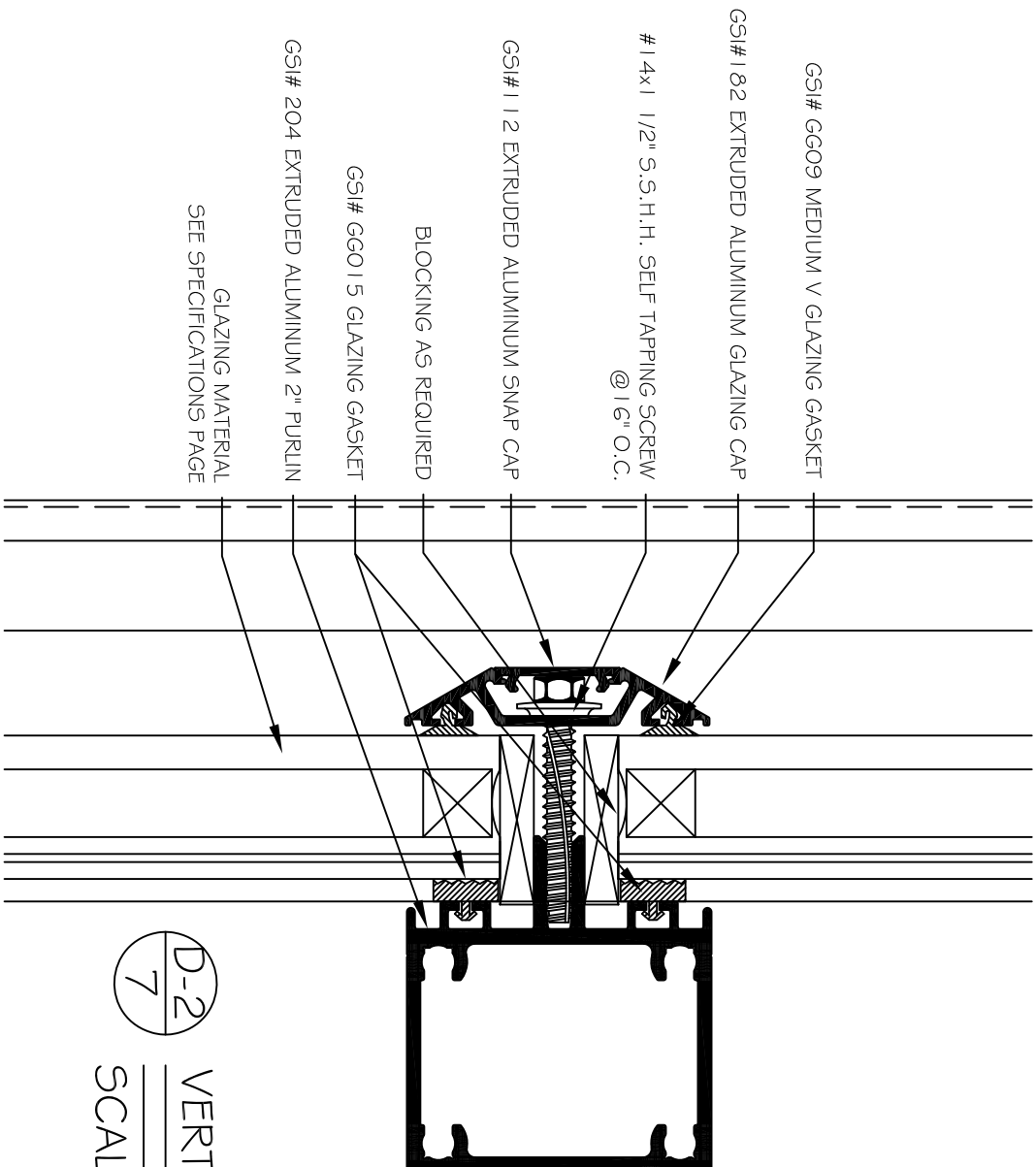
CORNER DETAIL

SCALE: 6" = 1"



Energy-Glazed Systems, Inc.
350 Center St. Grayslake, IL 60030(P) 847-223-4500 (F)847-223-6444

CUSTOM SKYLIGHT



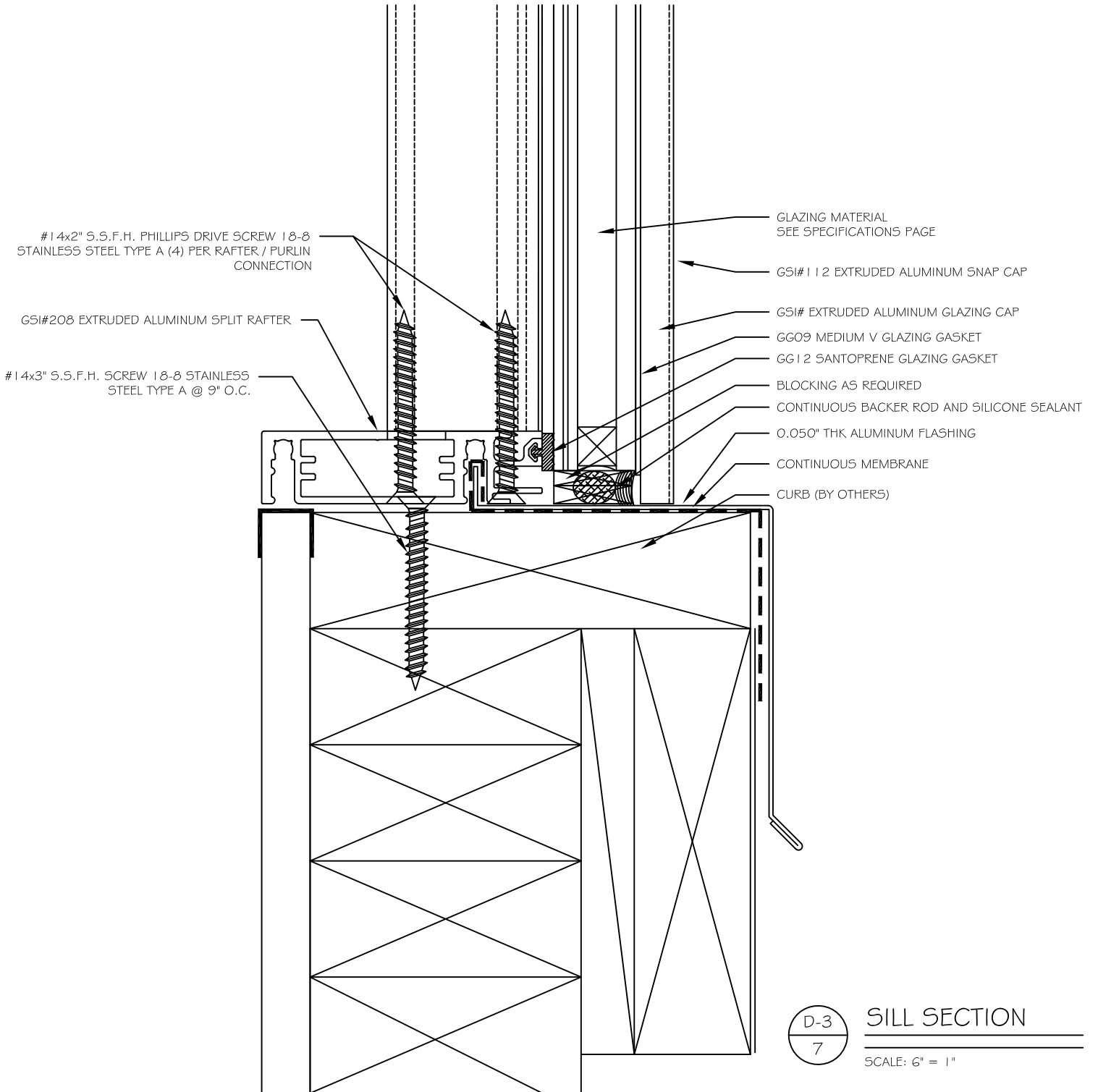
D-2
7

VERTICAL WALL DETAIL

SCALE: 6" = 1"



CUSTOM SKYLIGHT

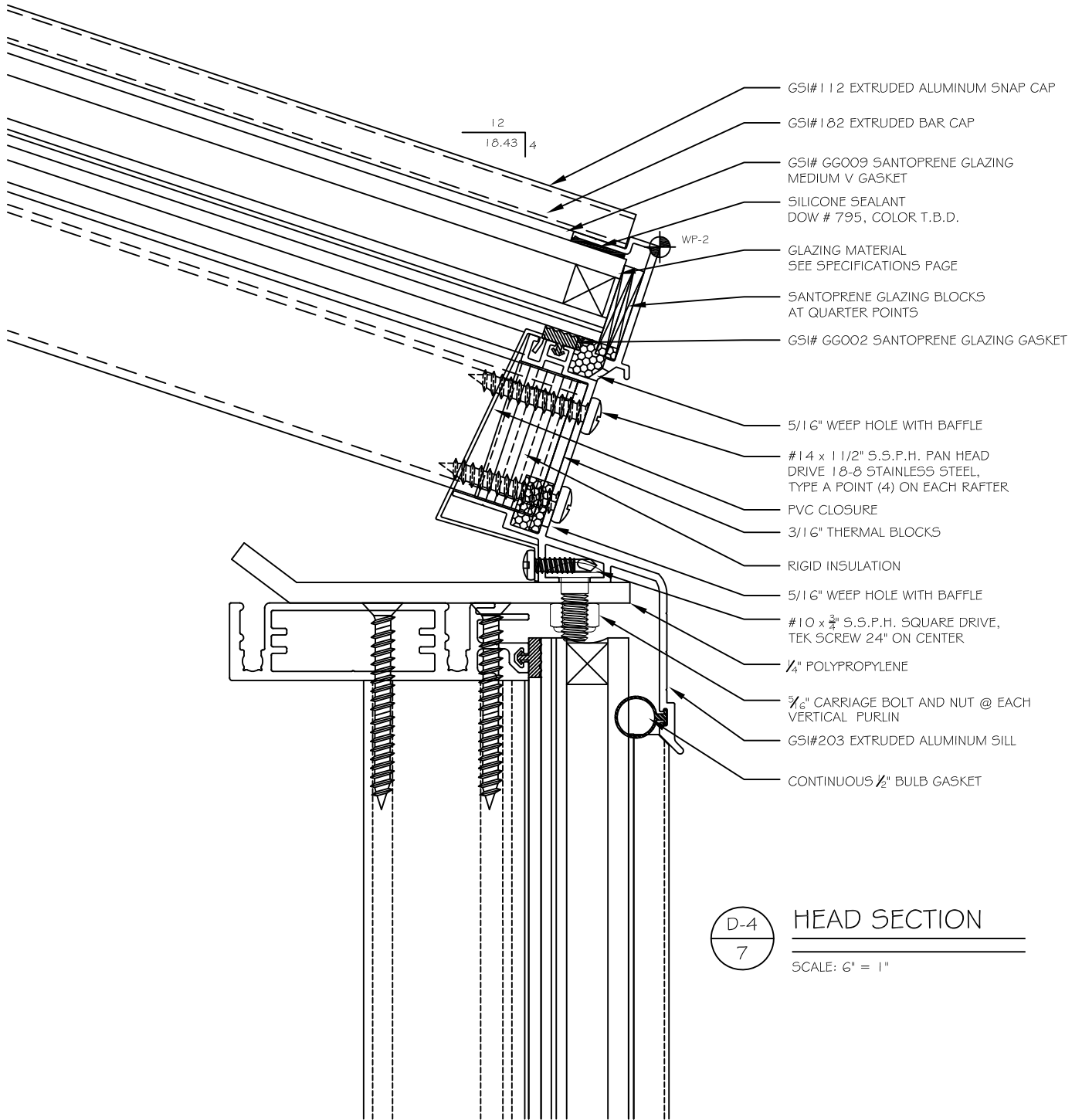


D-3
7

SILL SECTION

SCALE: 6" = 1"

CUSTOM SKYLIGHT

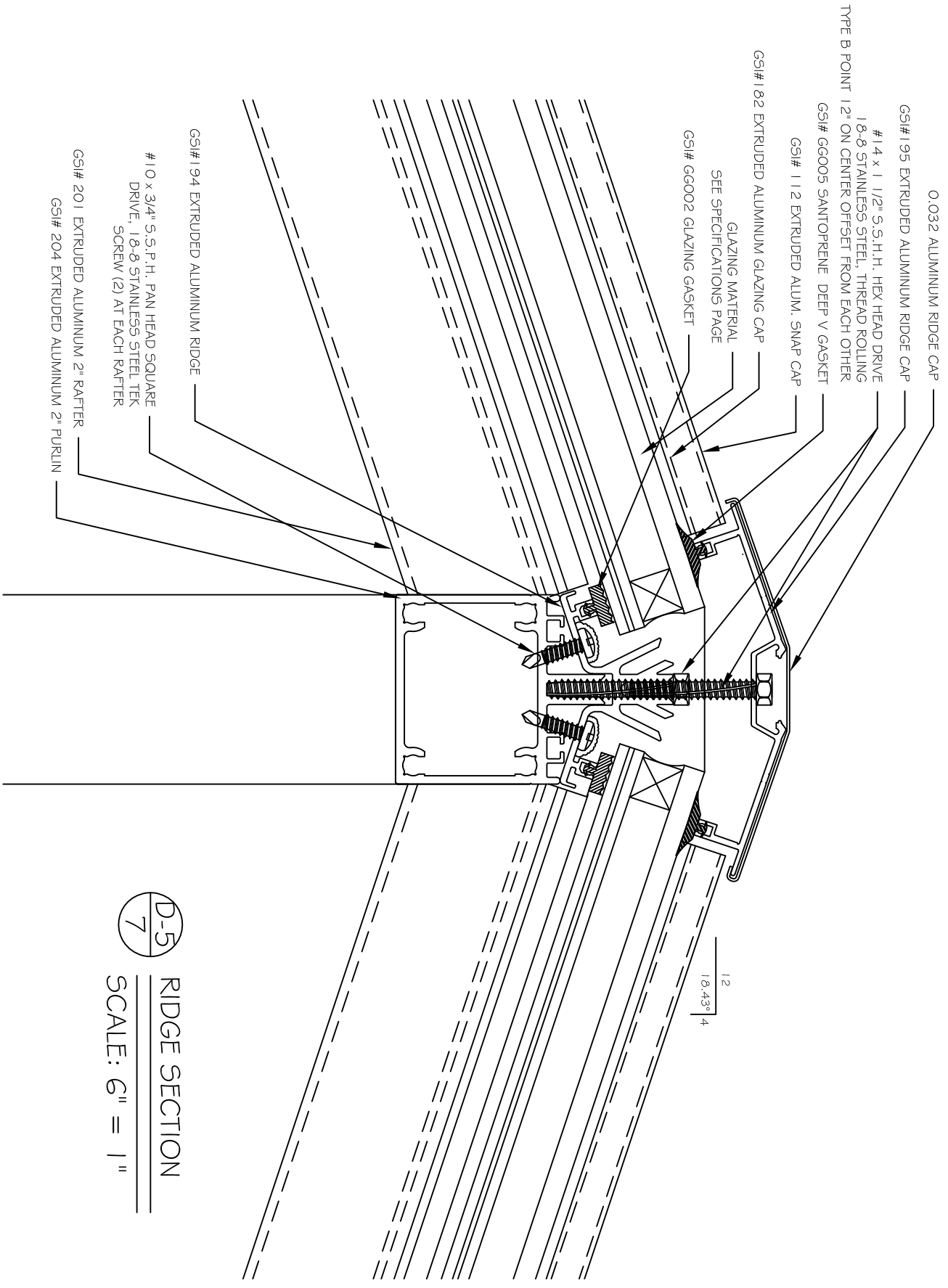


D-4
7

HEAD SECTION

SCALE: 6" = 1"

CUSTOM SKYLIGHT



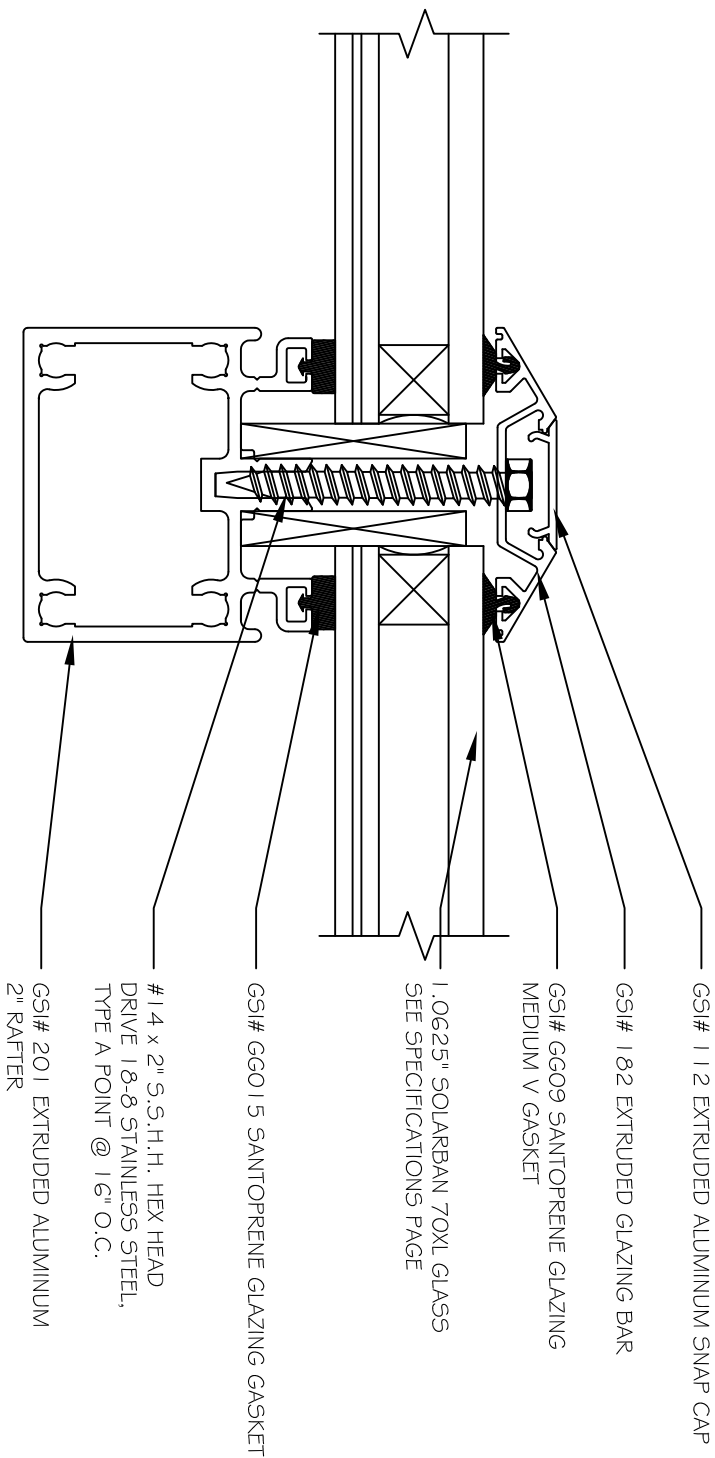
D-5
7

RIDGE SECTION
SCALE: 6" = 1"



Energy-Glazed Systems, Inc.
350 Center St. Grayslake, IL 60030 (P) 847-223-4500 (F) 847-223-6444

CUSTOM SKYLIGHT



D-6
7

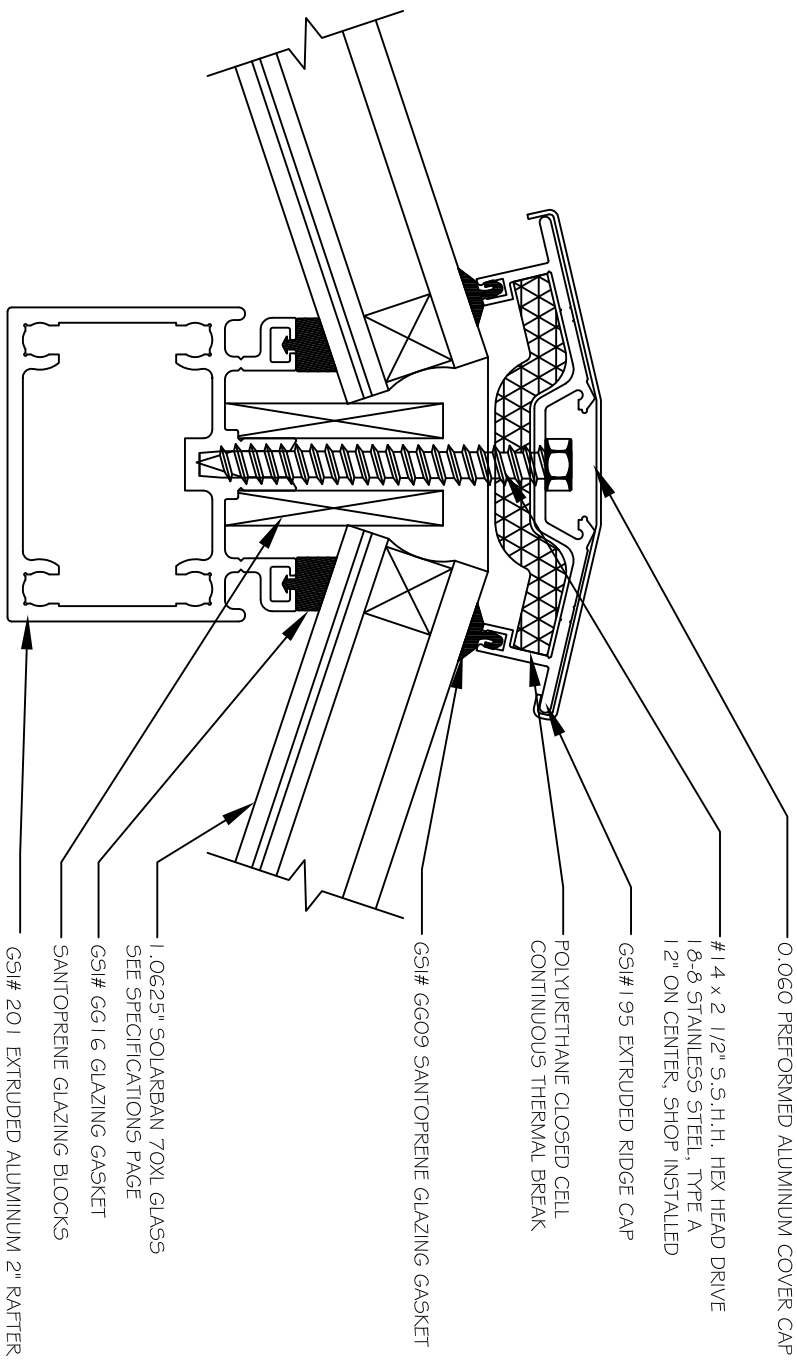
RAFTER SECTION

SCALE: 1" = 1"



Energy-Glazed Systems, Inc.
350 Center St. Grayslake, IL 60030 (P) 847-223-4500 (F) 847-223-6444

CUSTOM SKYLIGHT



D-7
7

HIP RAFTER SECTION

SCALE: 6" = 1"